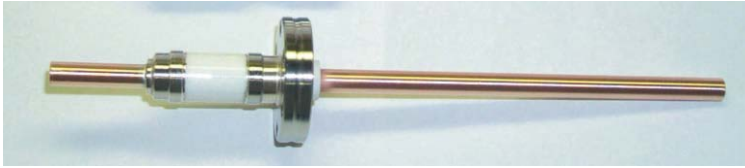


POWER

SECTION 2



Power is a classification given to electrical feedthrus used to carry either high voltage or high current, or both into vacuum systems. MPF's Power section has both connector fitted and exposed power leads.

500 To 1000 VOLTS DC PAGES 15-18

2000 VOLTS DC PAGES 19-20

3000 TO 3500 VOLTS DC PAGES 21-25

5000 VOLTS DC PAGES 26-34

10,000 VOLTS DC PAGES 35-38

12,000 VOLTS DC PAGES 39-40

20,000 To 40,000 VOLTS DC PAGES 41-44

WATERCOOLED

50 VOLTS DC PAGE 45

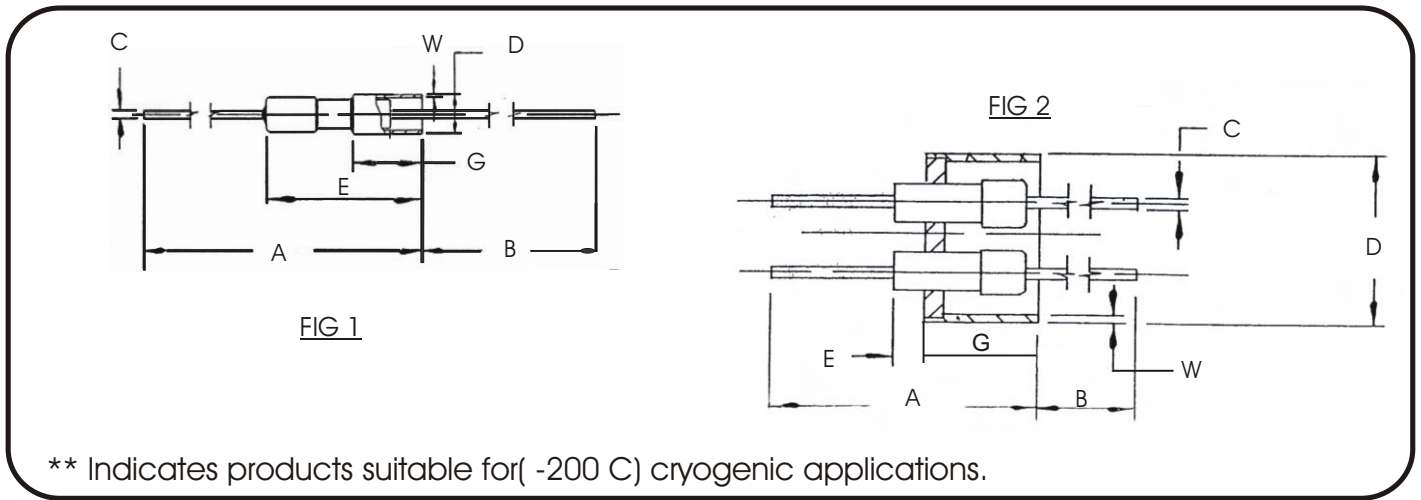
3000 TO 5000 VOLTS DC PAGE 45-48

POWER GLOVE

5000 TO 10,000 VOLTS DC PAGES 49-51

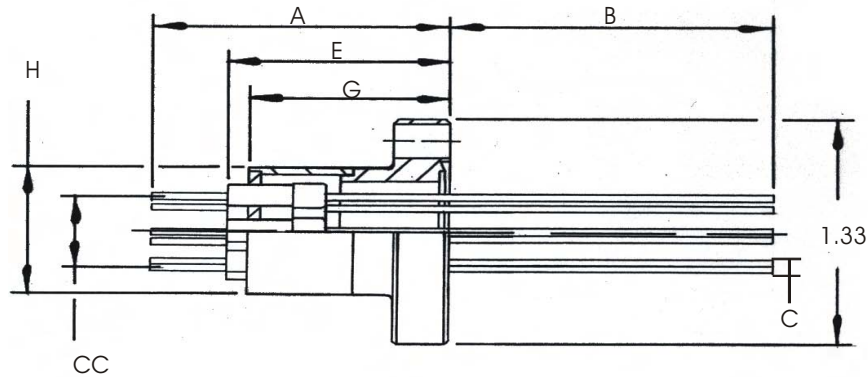
500 & 1000 VOLTS DC/ TO 15 AMPS

1 TO 8 PINS



VOLTS DC	NO. PINS	AMPS	CONDUCTOR MATERIAL	FIG	A	B	C	D	E	G	W	PART NO.	PRICE
500	1	10	MOLY	1	1.10	1.00	.032	.154	.60	.27	.015	A0495-1-W	30.00
500	1	3	COPPER	1	1.10	1.00	.032	.154	.60	.27	.015	A0495-2-W	30.00
500	1	2	NICKEL	1	1.10	1.00	.032	.154	.60	.27	.015	A0495-3-W	30.00
500	1	INST	STN STL	1	1.10	1.00	.032	.154	.60	.27	.015	A0495-4-W	30.00
* 500	1	3	COPPER	1	1.10	1.00	.032	.154	.60	.27	.015	A0070-2-W	30.00
* 500	1	2	CONSTANTAN	1	1.10	1.00	.032	.154	.60	.27	.015	A0070-1-W	30.00
* 500	1	INST	STN STL	1	1.10	1.00	.032	.154	.60	.27	.015	A0070-3-W	30.00
500	2	10	MOLY	2	.93	1.57	.032	.154	.53	.43	.020	A0078-4-W	60.00
500	2	3	COPPER	2	.93	1.57	.032	.154	.53	.43	.020	A0078-3-W	60.00
500	2	2	NICKEL	2	.93	1.57	.032	.154	.53	.43	.020	A0078-1-W	60.00
500	2	INST	STN.STL.	2	.93	1.57	.032	.154	.53	.43	.020	A0078-2-W	60.00
500	4	10	MOLY	2	.93	1.57	.032	.154	.53	.43	.020	A0086-4-W	70.00
500	4	3	COPPER	2	.93	1.57	.032	.154	.53	.43	.020	A0086-3-W	70.00
500	4	2	NICKEL	2	.93	1.57	.032	.154	.53	.43	.020	A0086-1-W	70.00
500	4	INST	STN.STL.	2	.93	1.57	.032	.154	.53	.43	.020	A0086-2-W	70.00
500	8	10	MOLY	2	.93	1.57	.032	.154	.63	.43	.020	A0089-4-W	100.00
500	8	2	NICKEL	2	.93	1.57	.032	.154	.63	.43	.020	A0089-1-W	100.00
500	8	INST	STN.STL.	2	.93	1.57	.032	.154	.63	.43	.020	A0089-2-W	100.00
1000	1	15	COPPER	1	1.00	2.25	.050	.247	.75	.37	.015	A0076-3-W	30.00
1000	1	5	NICKEL	1	1.00	2.25	.050	.247	.75	.37	.015	A0076-2-W	30.00
1000	1	1	STN STL	1	1.00	2.25	.050	.247	.75	.37	.015	A0076-1-W	30.00
1000	2	15	COPPER	2	2.13	1.87	.050	.747	.67	.53	.030	A0087-3-W	50.00
1000	2	5	NICKEL	2	2.13	1.87	.050	.747	.67	.53	.030	A0087-1-W	50.00
1000	2	15	STN.STL.	2	2.13	1.87	.050	.747	.67	.53	.030	A0087-2-W	50.00
1000	4	15	COPPER	2	2.13	1.87	.050	.747	.67	.53	.030	A0088-3-W	80.00
1000	4	5	NICKEL	2	2.13	1.87	.050	.747	.67	.53	.030	A0088-1-W	80.00
1000	4	15	STN.STL.	2	2.13	1.87	.050	.747	.67	.53	.030	A0088-2-W	80.00
1000	8	15	KOVAR	2	2.13	1.87	.050	.747	.67	.53	.030	A0860-1-W	120.00
1000	8	5	NICKEL TUBE	2	2.13	1.87	.050	.747	.67	.53	.030	A1433-1-W	120.00
1000	8	15	STN.STL TUBE	2	2.13	1.87	.050	.747	.67	.53	.030	A1152-1-W	120.00

PHONE 864-876-9853

500 & 1000 VOLTS DC/ TO 15 AMPS**2 TO 8 PINS**

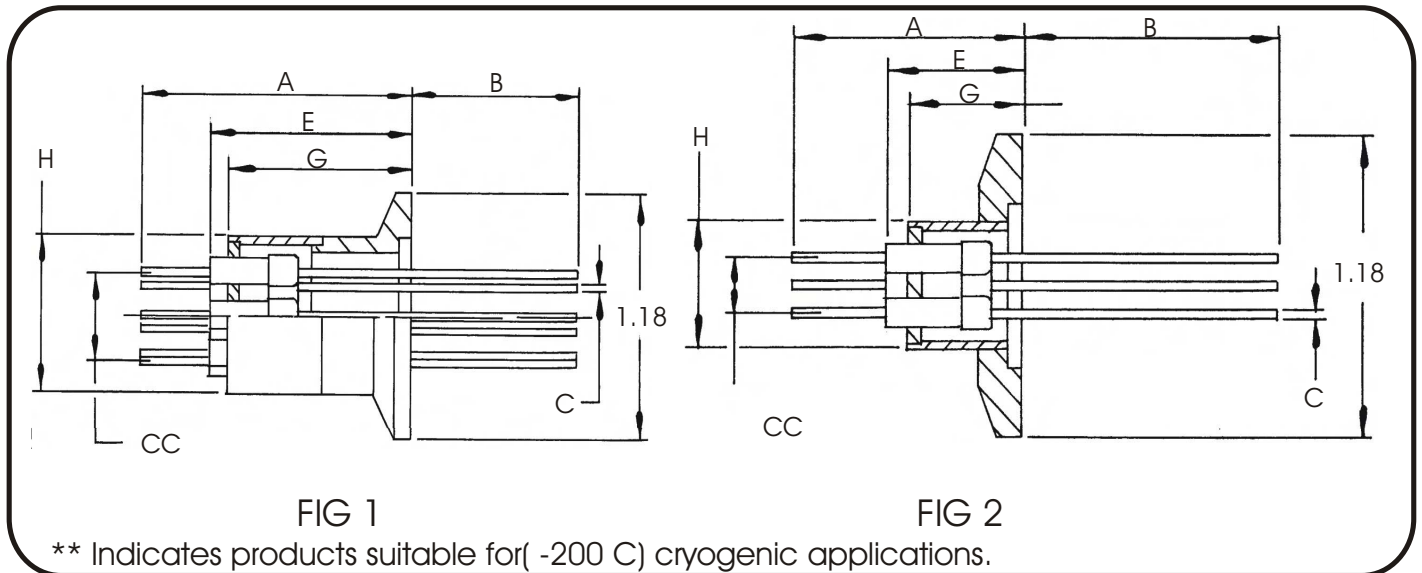
** Indicates products suitable for (-200 C) cryogenic applications.

500 VOLTS DC/ TO 15 AMPS**2 TO 8 PINS**

NO PINS	AMPS	CONDUCTOR MATERIAL	CF FLANGE	A	B	C	E	G	H	C-C	PART NUMBER	PRICE
2	10	MOLY	CF16	.99	1.52	.032	.58	.48	.50	.21	A0496-4-CF	110.00
2	3	COPPER	CF16	.99	1.52	.032	.58	.48	.50	.21	A0496-3-CF	110.00
2	2	NICKEL	CF16	.99	1.52	.032	.58	.48	.50	.21	A0496-1-CF	110.00
2	**	STN.STL.	CF16	.99	1.52	.032	.58	.48	.50	.21	A0496-2-CF	110.00
4	10	MOLY	CF16	.99	1.52	.032	.58	.48	.50	.25	A0497-4-CF	120.00
4	3	COPPER	CF16	.99	1.52	.032	.58	.48	.50	.25	A0497-3-CF	120.00
4	2	NICKEL	CF16	.99	1.52	.032	.58	.48	.50	.25	A0497-1-CF	120.00
4	**	STN. STL.	CF16	.99	1.52	.032	.58	.48	.50	.25	A0497-2-CF	120.00
8	10	MOLY	CF16	1.53	.97	.032	1.13	1.03	.75	.43	A0266-4-CF	145.00
8	2	NICKEL	CF16	1.53	.97	.032	1.13	1.03	.75	.43	A0266-1-CF	145.00
8	**	STN. STL.	CF16	1.53	.97	.032	1.13	1.03	.75	.43	A0266-2-CF	145.00

1000 VOLTS DC/ TO 15 AMPS**2 TO 8 PINS**

NO PINS	AMPS	CONDUCTOR MATERIAL	CF FLANGE	A	B	C	E	G	H	C-C	PART NUMBER	PRICE
2	15	COPPER	CF16	2.63	1.37	.050	1.17	1.03	.75	.31	A0261-3-CF	90.00
2	5	NICKEL	CF16	2.63	1.37	.050	1.17	1.03	.75	.31	A0261-1-CF	90.00
2	1	STN. STL.	CF16	2.63	1.37	.050	1.17	1.03	.75	.31	A0261-2-CF	90.00
4	15	COPPER	CF16	2.63	1.37	.050	1.17	1.03	.75	.38	A0262-3-CF	105.00
4	5	NICKEL	CF16	2.63	1.37	.050	1.17	1.03	.75	.38	A0262-1-CF	105.00
4	1	STN. STL.	CF16	2.63	1.37	.050	1.17	1.03	.75	.38	A0262-2-CF	105.00
8	7	KOVAR	CF 16	1.75	3.50	.050	1.25	1.25	.75	.43	A0863-1-CF	140.00
8	7	NI TUBE	CF 16	1.75	3.50	.050	1.25	1.25	.75	.43	A2569-1-CF	140.00
8	7	STN.STL. TUBE	CF 16	1.75	3.50	.050	1.25	1.25	.75	.43	A2570-1-CF	140.00

500 & 1000 VOLTS DC/ TO 15 AMPS**2 TO 8 PINS****500 VOLTS DC/ TO 15 AMPS****2 TO 8 PINS**

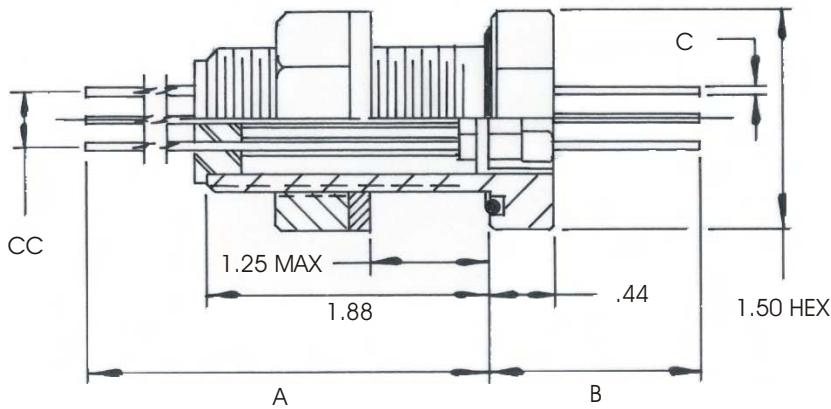
NO PINS	AMPS	CONDUCTOR MATERIAL	FIG	FLANGE	A	B	C	E	G	H	C-C	PART NO	PRICE
2	10	MOLY	1	NW16	1.03	1.47	.032	.63	.53	.50	.21	A0500-4-QF	110.00
2	3	COPPER	1	NW16	1.03	1.47	.032	.63	.53	.50	.21	A0500-3-QF	110.00
2	2	NICKEL	1	NW16	1.03	1.47	.032	.63	.53	.50	.21	A0500-1-QF	110.00
2	**	STN.STL.	1	NW16	1.03	1.47	.032	.63	.53	.50	.21	A0500-2-QF	110.00
4	10	MOLY	1	NW16	1.03	1.47	.032	.63	.53	.50	.25	A0501-4-QF	120.00
4	3	COPPER	1	NW16	1.03	1.47	.032	.63	.53	.50	.25	A0501-3-QF	120.00
4	2	NICKEL	1	NW16	1.03	1.47	.032	.63	.53	.50	.25	A0501-1-QF	120.00
4	**	STN. STL.	1	NW16	1.03	1.47	.032	.63	.53	.50	.25	A0501-2-QF	120.00
8	10	MOLY	1	NW16	1.53	.97	.032	1.13	1.03	.75	.43	A0502-4-QF	145.00
8	2	NICKEL	1	NW16	1.53	.97	.032	1.13	1.03	.75	.43	A0502-1-QF	145.00
8	**	STN. STL.	1	NW16	1.53	.97	.032	1.13	1.03	.75	.43	A0502-2-QF	145.00

1000 VOLTS DC/ TO 15 AMPS**2 TO 8 PINS**

NO PINS	AMPS	CONDUCTOR MATERIAL	FIG	FLANGE	A	B	C	E	G	H	C-C	PART NO	PRICE
2	15	COPPER	2	NW16	2.63	1.37	.050	1.17	1.03	.75	.31	A0498-3-QF	90.00
2	5	NICKEL	2	NW16	2.63	1.37	.050	1.17	1.03	.75	.31	A0498-1-QF	90.00
2	1	STN. STL.	2	NW16	2.63	1.37	.050	1.17	1.03	.75	.31	A0498-2-QF	90.00
4	15	COPPER	2	NW16	2.63	1.37	.050	1.17	1.03	.75	.38	A0499-3-QF	105.00
4	5	NICKEL	2	NW16	2.63	1.37	.050	1.17	1.03	.75	.38	A0499-1-QF	105.00
4	1	STN. STL.	2	NW16	2.63	1.37	.050	1.17	1.03	.75	.38	A0499-2-QF	105.00
8	1	KOVAR	NA	NW16	1.75	3.50	.050	1.25	1.25	.75	.43	A2572-1-QF	135.00
8	1	NI TUBE	NA	NW16	1.75	3.50	.050	1.25	1.25	.75	.43	A2573-1-QF	135.00
8	1	STN. STL TUBE	NA	NW16	1.75	3.50	.050	1.25	1.25	.75	.43	A2574-1-QF	135.00

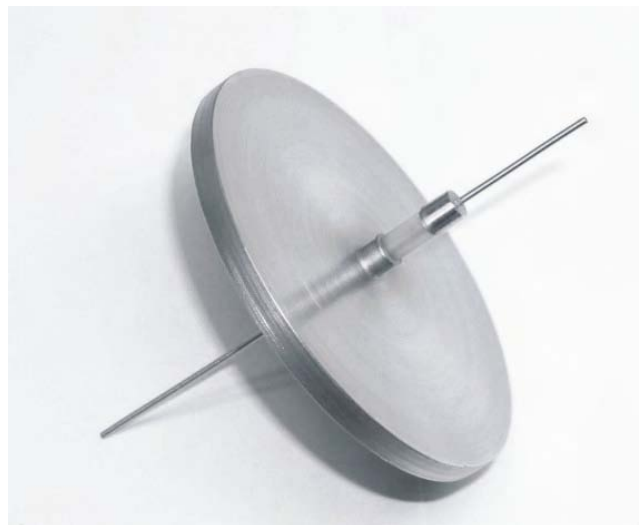
1000 VOLTS DC/ TO 15 AMPS

2 TO 8 PINS



** Indicates products suitable for (-200 C) cryogenic applications.

NO PINS	AMPS	CONDUCTOR MATERIAL	FIG	A	B	C	CC	PART NUMBER	PRICE
2	15	COPPER	1	4.18	2.32	.050	.31	A0505-1-BP	170.00
2	5	NICKEL	1	4.18	2.32	.050	.31	A0505-2-BP	170.00
2	1	STN STL	1	4.18	2.32	.050	.31	A0505-3-BP	170.00
4	15	COPPER	2	4.18	2.32	.050	.38	A0504-1-BP	225.00
4	5	NICKEL	2	4.18	2.32	.050	.38	A0504-2-BP	225.00
4	1	STN STL	2	4.18	2.32	.050	.38	A0504-3-BP	225.00
8	7	KOVAR	3	3.83	1.92	.050	.43	A0971-1-BP	280.00
8	**	NICKEL TUBE	3	3.83	1.92	.050	.43	A1082-1-BP	280.00
8	**	STN STL TUBE	3	3.83	1.92	.050	.43	A2147-1-BP	280.00



CUSTOM ENGINEERED COMPONENTS

PHONE 864-876-9853

2000 VOLTS DC/ 10 AMPS

4 ,6 ,&10 PINS

FIGURE 1 WELDABLE

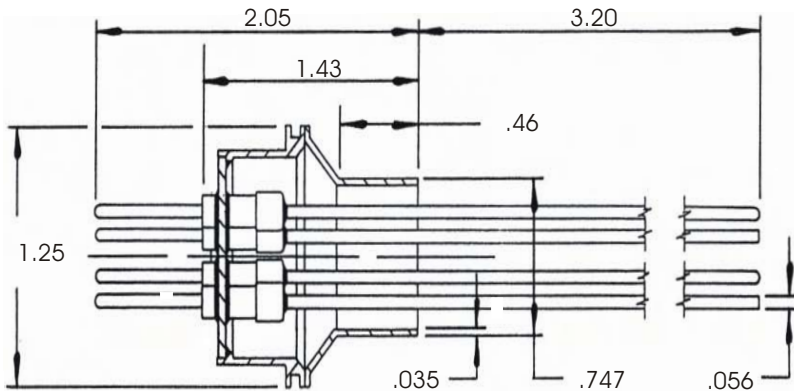


FIGURE 1 WELDABLE

NO PINS	FIG	PART NUMBER	PRICE
4	1	A0421-4-W	140.00
6	1	A0422-4-W	155.00
10	1	A0184-4-W	220.00

FIGURE 2 PIPE THREAD

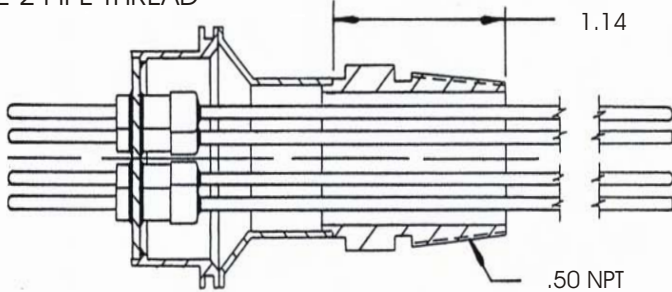


FIGURE 2 PIPE THREAD
1/2" NPT PIPE THREAD

4	2	A0424-4-NPT	190.00
6	2	A0424-8-NPT	205.00
10	2	A0424-12-NPT	250.00

FIGURE 3 CF FLANGE

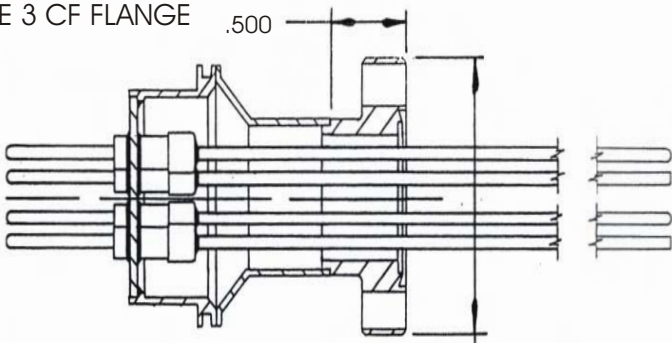


FIGURE 3 CF 16 FLANGE
Cf16

4	3	A0423-4-CF	175.00
6	3	A0423-8-CF	190.00
10	3	A0423-12-CF	250.00

FIGURE 4 QUICK FLANGE

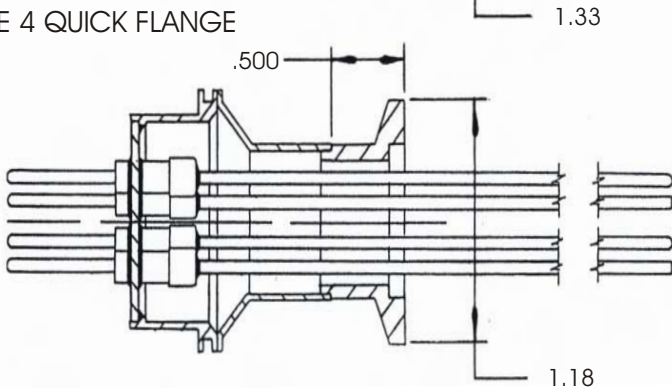


FIGURE 4 NW-16 QUICK FLANGE
NW 16

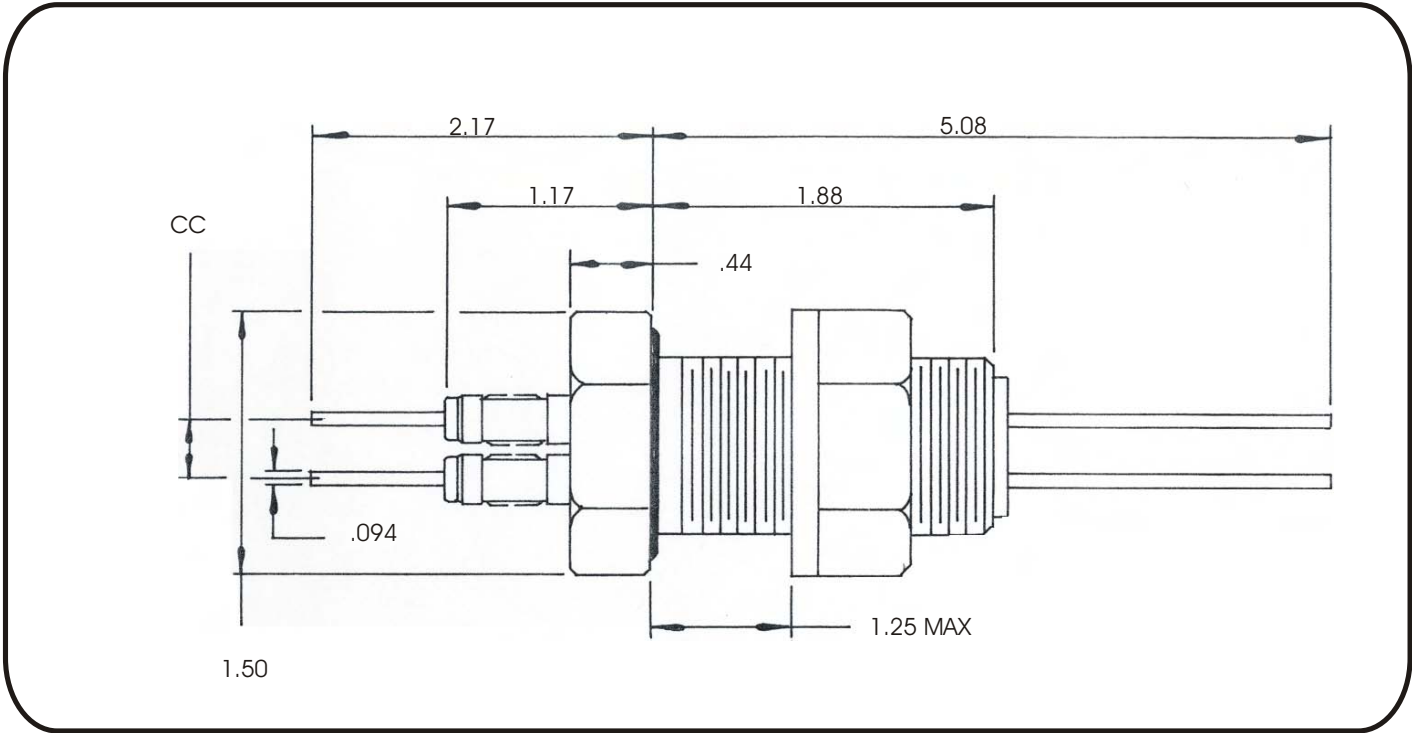
4	4	A0425-4-QF	175.00
6	4	A0425-8-QF	190.00
10	4	A0425-12-QF	250.00

ALL CONDUCTORS ALUMEL

PHONE 864-876-9853

2000 VOLTS DC/ TO 30 AMPS

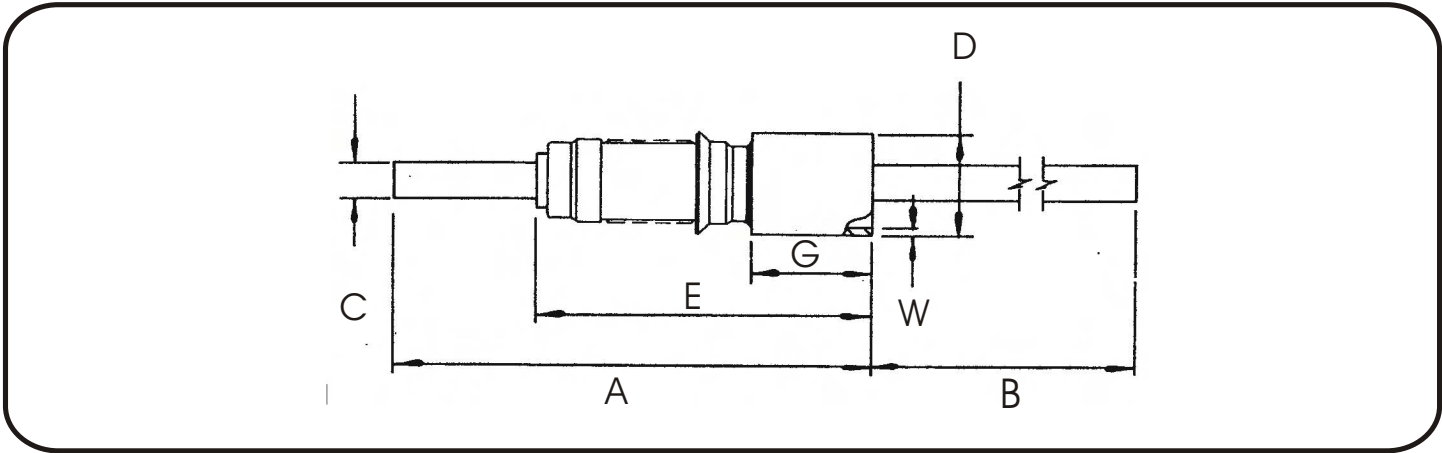
1 TO 4 PINS



NO PINS	AMPS	CONDUCTOR MATERIAL	CC	PART NUMBER	PRICE
1	30	COPPER	--	A0525-1-BP	145.00
1	15	NICKEL	--	A0525-2-BP	145.00
1	3	STN STL	--	A0525-3-BP	145.00
2	30	COPPER	.38	A0526-1-BP	205.00
2	15	NICKEL	.38	A0526-2-BP	205.00
2	3	STN STL	.38	A0526-3-BP	205.00
3	30	COPPER	.45	A0527-1-BP	235.00
3	15	NICKEL	.45	A0527-2-BP	235.00
3	3	STN STL	.45	A0527-3-BP	235.00
4	30	COPPER	.51	A0528-1-BP	280.00
4	15	NICKEL	.51	A0528-2-BP	280.00
4	3	STN STL	.51	A0528-3-BP	280.00

3000 VOLTS DC/ TO 15 AMPS

SINGLE CONDUCTOR



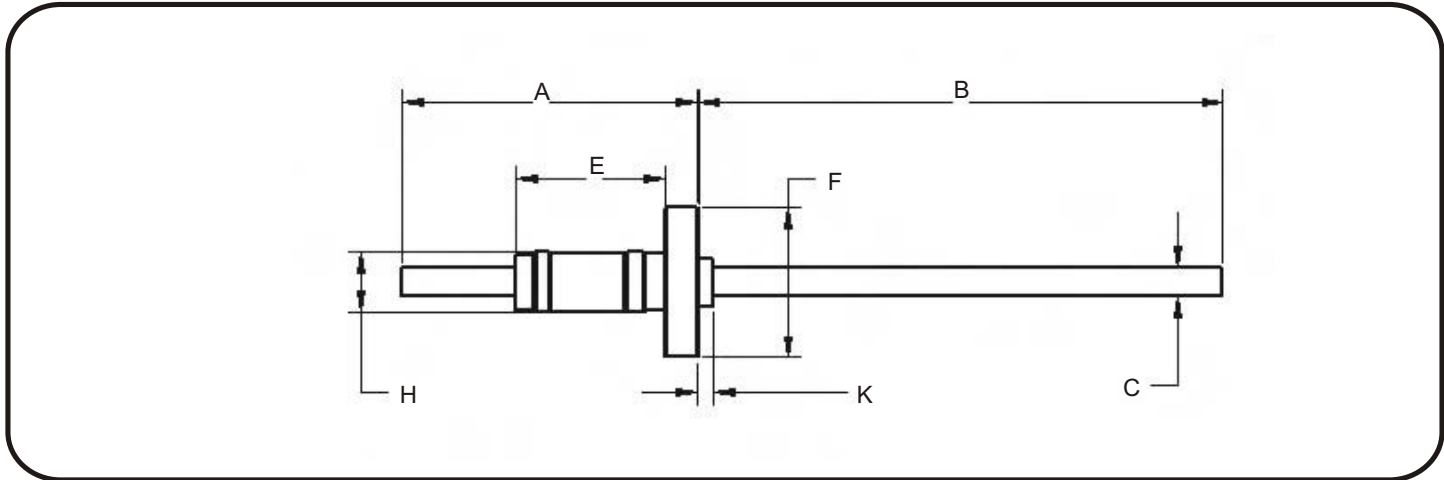
VOLTS DC	AMPS	CONDUCTOR MATERIAL	FIG	A	B	C	D	E	G	W	PART NO	PRICE
3KV	15	COPPER	1	1.97	2.03	.050	.309	.97	.37	.030	A0098-1-W	25.00
3KV	5	NICKEL	1	1.97	2.03	.050	.309	.97	.37	.030	A0098-2-W	25.00
3KV	1	STN STL	1	1.97	2.03	.050	.309	.97	.37	.030	A0098-3-W	25.00
3KV	600	COPPER	1	3.85	3.40	.75	1.120	2.85	.75	.030	A0122-2-W	130.00
3KV	250	COPPER	1	3.15	4.10	.38	.747	2.15	.75	.030	A0108-2-W	60.00



PHONE 864-876-9853

3000 VOLTS DC/ 250 TO 600 AMPS

1 PIN

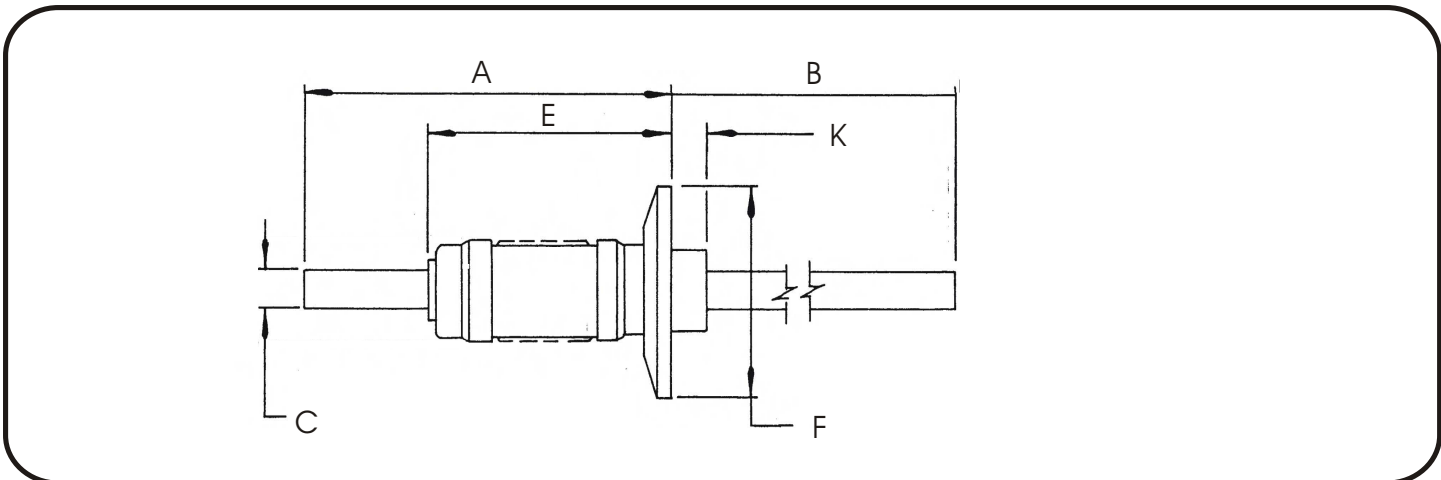


NO PINS	AMPS	VOLTS	CONDUCTOR MATERIAL	A	B	C	CC	E	F	H	K	PART NO	PRICE
1	600	3KV	COPPER	3.90	3.35	.75	--	2.90	2.73	1.30	--	A0236-2-CF	180.00
1	250	3KV	COPPER	2.69	4.57	.38	--	1.69	1.33	.78	--	A0221-2-CF	115.00

QUICK FLANGE

3000 VOLTS DC/ 250 TO 600 AMPS

1 PIN

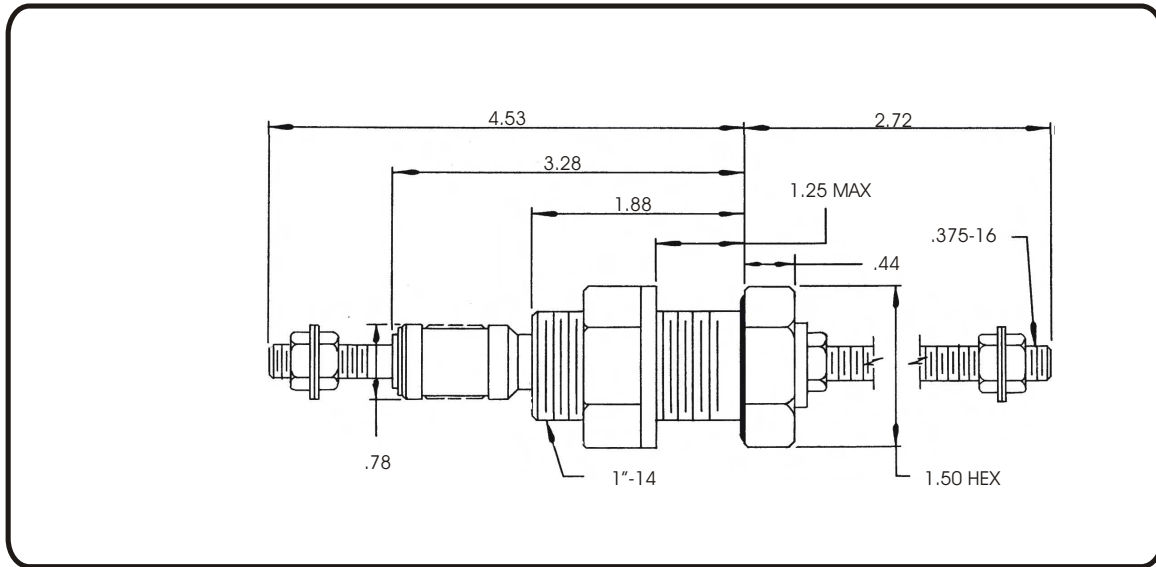


NO PINS	AMPS	VOLTS	CONDUCTOR MATERIAL	A	B	C	CC	E	F	H	K	PART NO	PRICE
1	600	3KV	COPPER	3.85	3.40	.75	--	2.85	2.16	1.30	--	A0219-2-QF	165.00
1	250	3KV	COPPER	3.15	4.10	.38	--	2.15	2.16	.78	--	A0220-2-QF	115.00

PHONE 864-876-9853

3000 VOLTS DC/ 250 AMPS

1 PIN

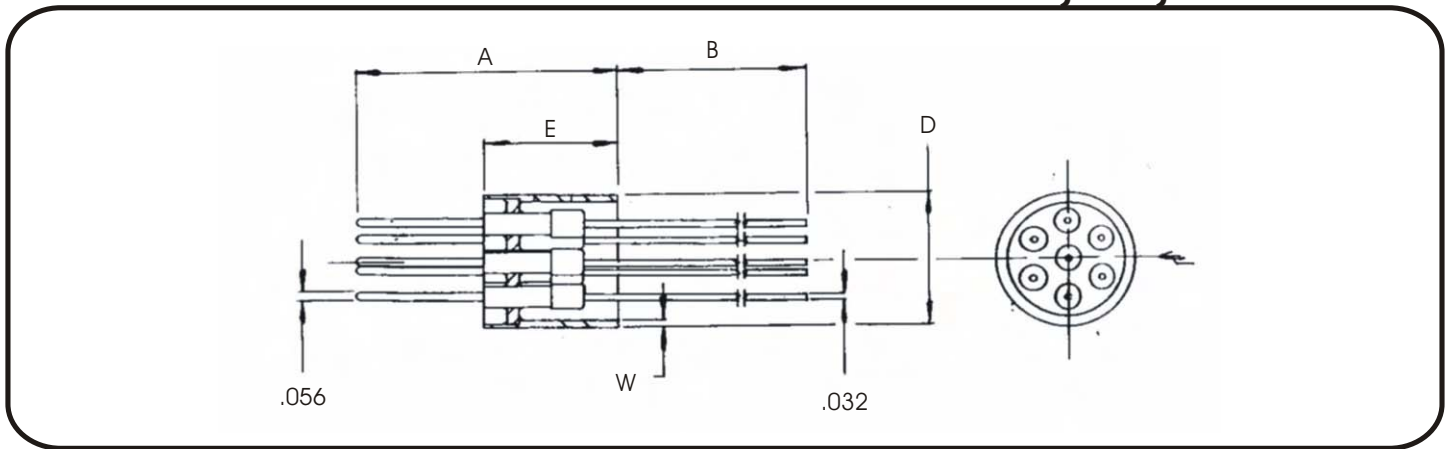


NO PINS	VOLTS	AMPS	CONDUCTOR MATERIAL	FIG	PART NUMBER	PRICE
1	3KV	250	COPPER	1	A0542-1-BP	195.00

WELDABLE

3500 VOLTS DC/ 10 AMPS

7, 10, & 20 PIN

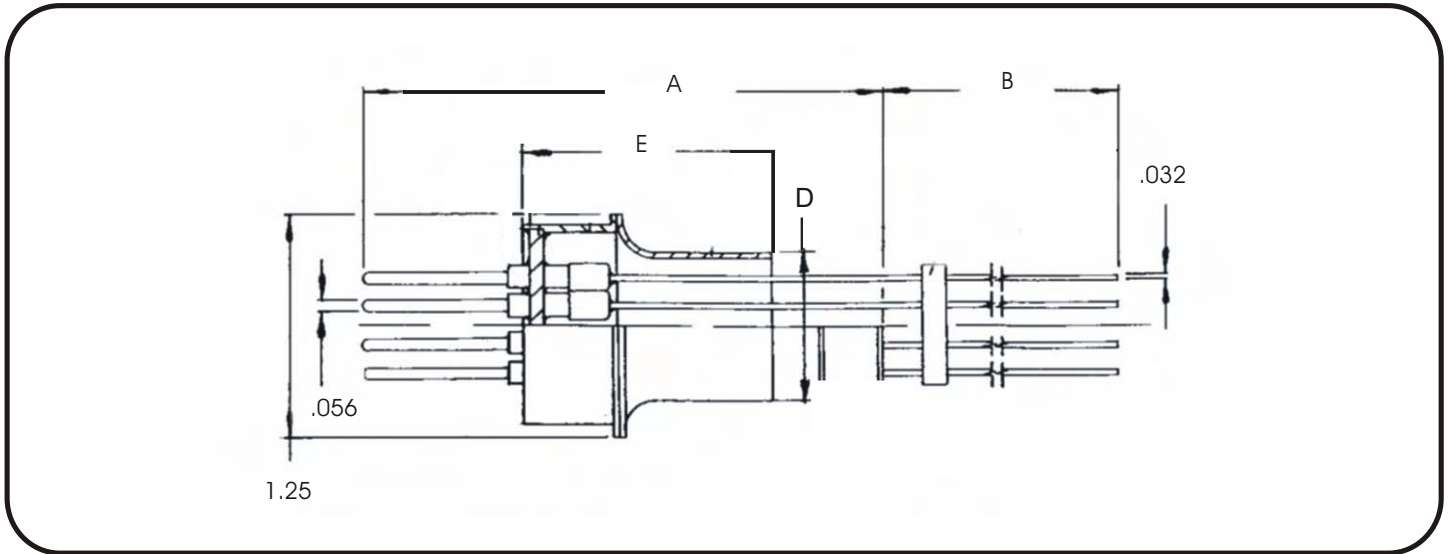


NO PINS	VOLTS DC	AMPS	CONDUCTOR MATERIAL	FIG	A	B	D	E	G	W	PART NO	PRICE
7	3.5KV	10	NI-MO	1	1.70	4.00	.747	1.00	--	.030	A1939-1-W	180.00
10	3.5KV	10	NI-MO	1	2.80	3.50	.747	1.60	--	.030	A1949-1-W	220.00
20	3.5KV	10	NI-MO	1	2.42	3.35	1.50	1.72	--	.030	A1943-1-W	370.00

PHONE 864-876-9853

3500 VOLTS DC/ 10 AMPS

7,10,20 PIN

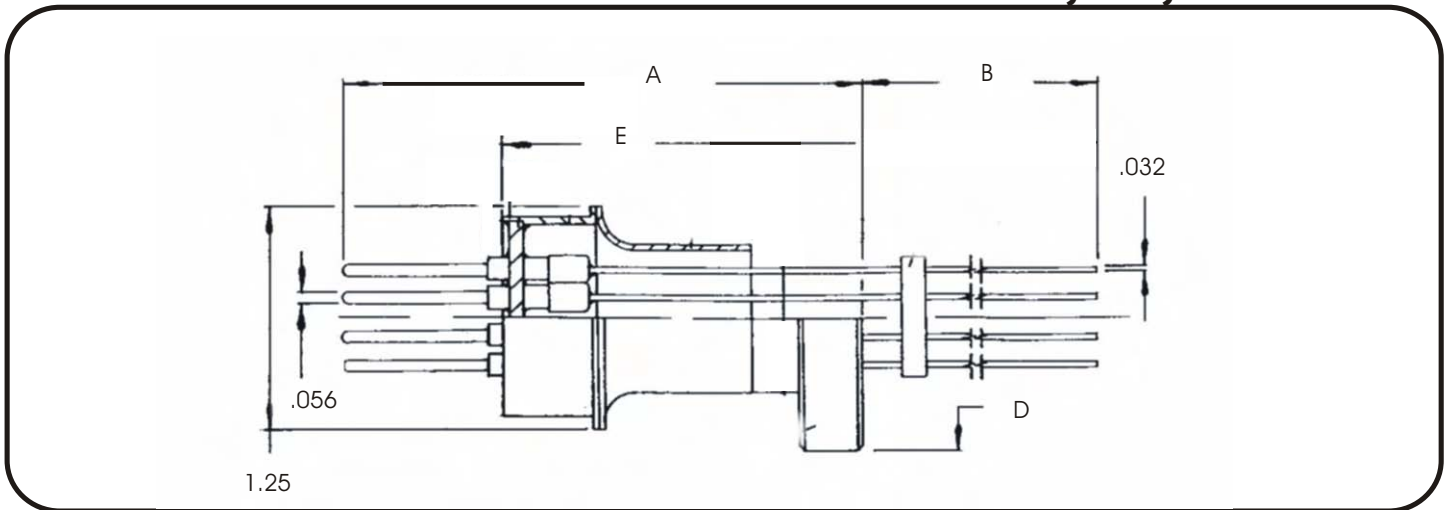


NO PINS	VOLTS DC	AMPS	CONDUCTOR MATERIAL	FIG	A	B	D	E	G	PART NO	PRICE
7	3.5KV	10	NI-MO	1	1.70	4.00	.750	1.00	--	A1939-1-W	180.00
10	3.5KV	10	NI-MO	1	2.30	3.51	.750	1.60	--	A1949-1-W	220.00
20	3.5KV	10	NI-MO	1	2.42	3.39	1.50	1.72	--	A1943-1-W	370.00

CONFLAT FLANGE

3500 VOLTS DC/ 10 AMPS

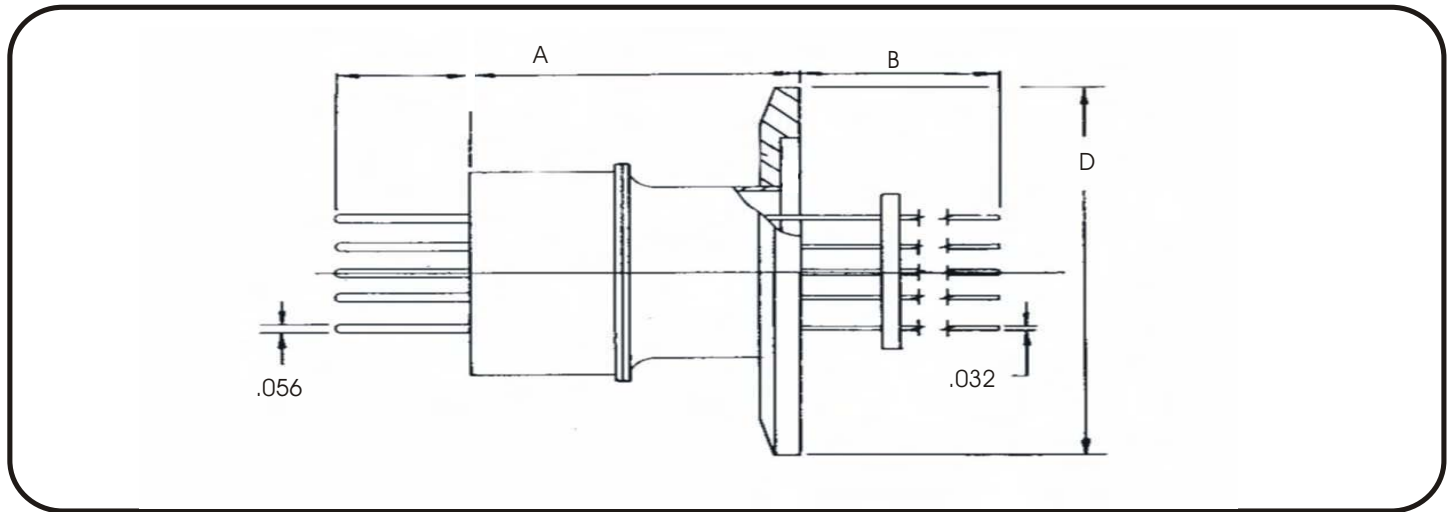
7, 10, & 20 PIN



NO PINS	VOLTS DC	CONFLAT FLANGE	AMPS	CONDUCTOR MATERIAL	FIG	A	B	D	E	G	PART NO	PRICE
7	3.5KV	CF16	10	NI-MO	1	2.20	3.50	1.33	1.50	--	A1940-1-CF	215.00
7	3.5KV	CF40	10	NI-MO	1	2.20	3.50	2.75	1.50	--	A1941-1-CF	330.00
10	3.5KV	CF16	10	NI-MO	1	2.80	3.01	1.33	2.10	--	A1949-2-CF	255.00
20	3.5KV	CF 40	10	NI-MO	1	2.47	3.34	2.75	1.77	--	A1947-1-CF	395.00

3500 VOLTS DC/ 10 AMPS

7,10,20 PIN



NO PINS	VOLTS DC	QUICK FLANGE	AMPS	CONDUCTOR MATERIAL	A	B	D	PART NO	PRICE
7	3.5KV	NW16	10	NI-MO	2.20	3.50	1.18	A1953-1-QF	215.00
10	3.5KV	Nw16	10	NI-MO	2.80	3.01	1.18	A1952-1-QF	255.00
20	3.5KV	NW40	10	NI-MO	2.52	3.34	2.16	A1951-1-QF	395.00
20	3.5KV	Nw50	10	NI-MO	2.52	3.34	2.95	A1951-2-QF	405.00

5000 VOLTS DC/ TO 30 AMPS

1 PIN

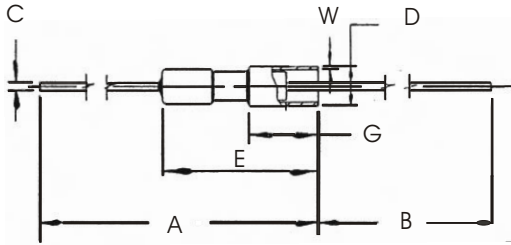


FIG 1

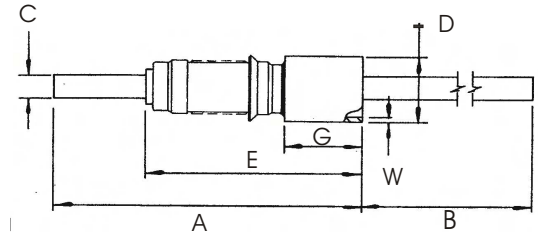


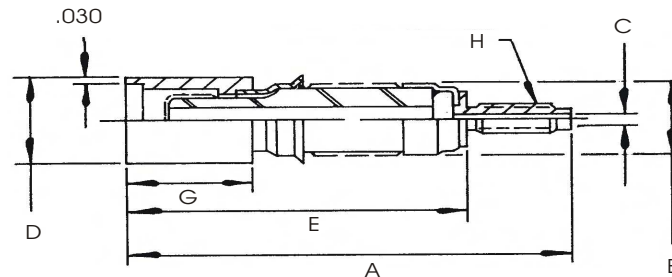
FIG 2

VOLTS DC	AMPS	CONDUCTOR MATERIAL	FIG	A	B	C	D	E	G	W	PART#	PRICE
5KV	15	COPPER	1	1.85	2.15	.050	.247	.85	.37	.015	A0263-1-W	30.00
5KV	5	NICKEL	1	1.85	2.15	.050	.247	.85	.37	.015	A0263-2-W	30.00
5KV	1	STN STL	1	1.85	2.15	.050	.247	.85	.37	.015	A0263-3-W	30.00
5KV	30	COPPER	2	2.25	5.00	.094	.435	1.25	.50	.030	A0069-5-W	30.00
5KV	15	NICKEL	2	2.25	5.00	.092	.435	1.25	.50	.030	A0069-3-W	30.00
5KV	60	COPPER	2	2.32	4.93	.16	.495	1.32	.50	.030	A0284-1-W	42.00
5KV	40	NICKEL	2	2.32	4.93	.16	.495	1.32	.50	.030	A0284-2-W	42.00
5KV	150	COPPER	2	3.13	4.12	.25	.622	2.13	.75	.030	A0106-1-W	47.00
5KV	75	NICKEL	2	3.13	4.12	.25	.622	2.13	.75	.030	A0106-3-W	47.00
5KV	7	STN STL	2	3.13	4.12	.25	.622	2.13	.75	.030	A0106-2-W	47.00

WELDABLE

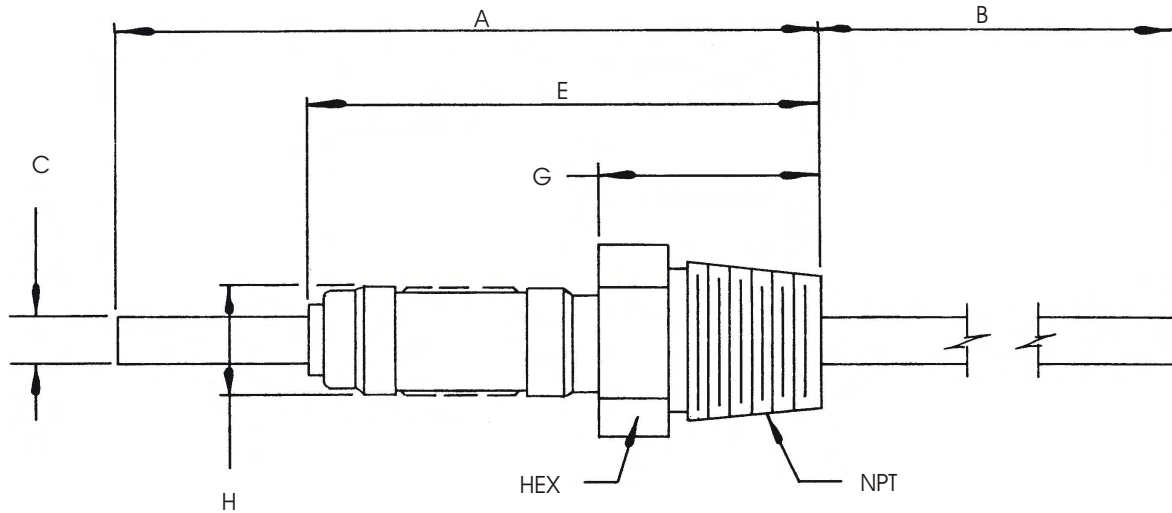
5000 VOLTS DC/

0 PIN



VOLTS	A	B	C	D	E	G	H	PART NUMBER	PRICE
5000	1.69	.31	.082	.435	1.26	.50	8/32	A0036-1-W	40.00

PHONE 864-876-9853

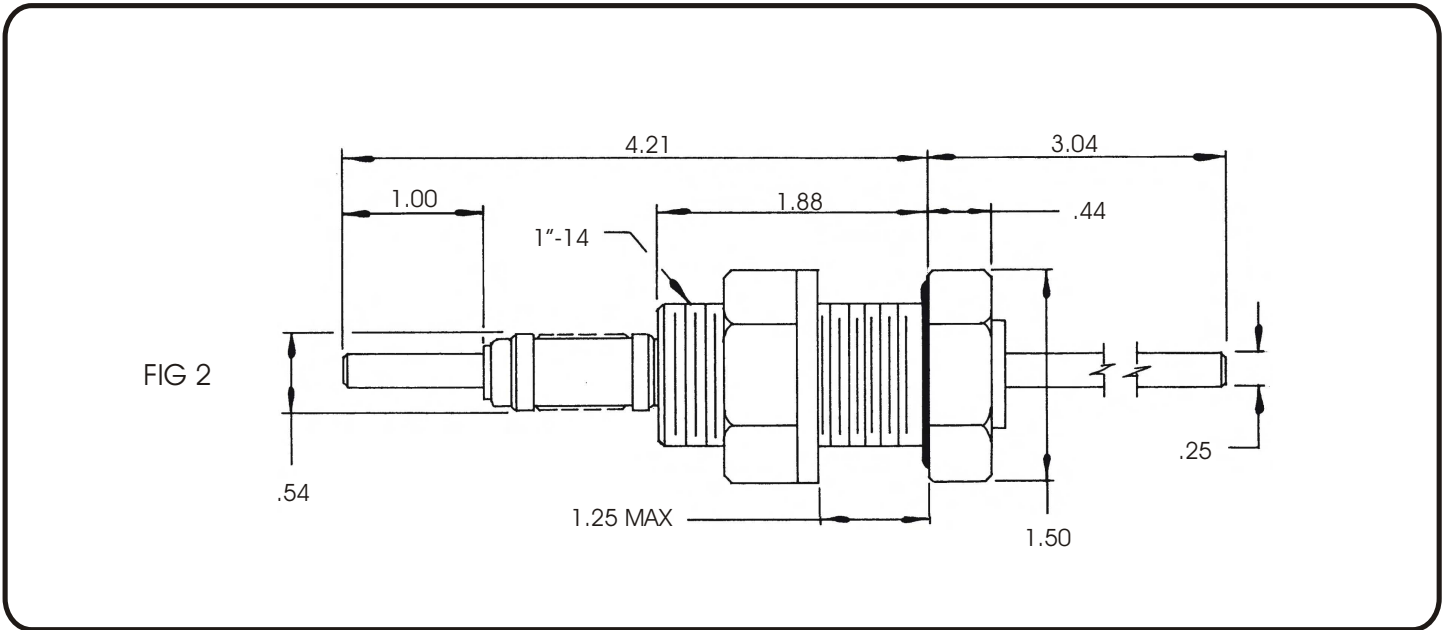
5000 VOLTS DC/ TO 150 AMPS**1 PIN**

NO PINS	AMPS	CONDUCTOR MATERIAL	NPT	HEX	A	B	C	E	G	H	PART NUMBER	PRICE
1	30	COPPER	.125	.437	2.48	4.77	.094	1.48	.73	--	A0271-2-NPT	80.00
1	15	NICKEL	.125	.437	2.48	4.77	.094	1.48	.73	--	A0271-1-NPT	80.00
1	15	NICKEL	.125	.437	2.48	4.77	.094	1.48	.73	--	A0271-4-NPT	80.00
1	5	COPPER	.125	.437	2.48	4.77	.094	1.48	.73	--	A0271-3-NPT	80.00
1	150	COPPER	.500	7/8	3.42	3.83	.25	2.42	1.09	.54	A0003-1-NPT	105.00
1	75	NICKEL	.500	7/8	3.42	3.83	.25	2.42	1.09	.54	A0003-5-NPT	105.00
1	7	STN STL	.500	7/8	3.42	3.83	.25	2.42	1.09	.54	A0003-3-NPT	105.00
1	60	COPPER	.375	11/16	2.71	4.54	.16	1.71	.89	.40	A0287-1-NPT	110.00
1	40	NICKEL	.375	11/16	2.71	4.54	.16	1.71	.89	.40	A0287-2-NPT	110.00

PHONE 864-876-9853

5000 VOLTS DC/ TO 100 AMPS

1 PIN

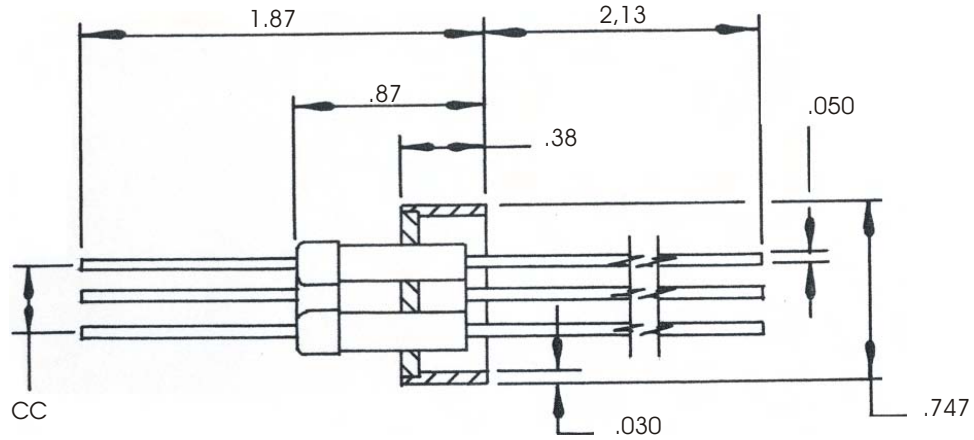


NO PINS	VOLTS	AMPS	CONDUCTOR MATERIAL	FIG	PART NUMBER	PRICE
1	5KV	100	COPPER	2	A0543-1-BP	165.00
1	5KV	50	NICKEL	2	A0543-2-BP	165.00
1	5KV	5	STN STL	2	A0543-3-BP	165.00



5000 VOLTS DC/ TO 15 AMPS

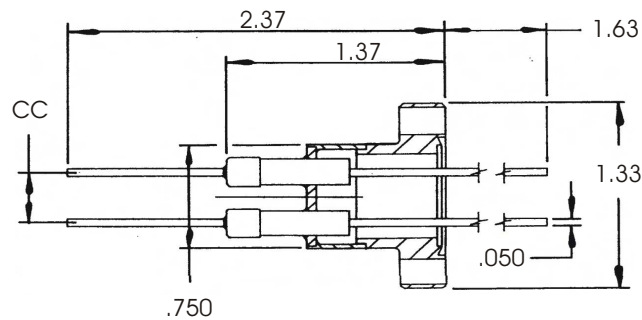
2 & 4 PIN



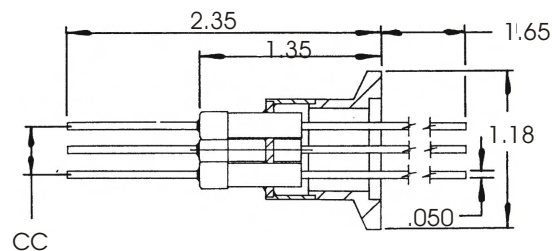
NO PINS	AMPS	CONDUCTOR MATERIAL	CC	PART NUMBER	PRICE
2	15	COPPER	.310	A0267-3-W	70.00
2	5	NICKEL	.310	A0267-1-W	70.00
2	1	STN STL	.310	A0267-2-W	70.00
4	15	COPPER	.375	A0268-3-W	80.00
4	5	NICKEL	.375	A0268-1-W	80.00
4	1	STN STL	.375	A0268-2-W	80.00



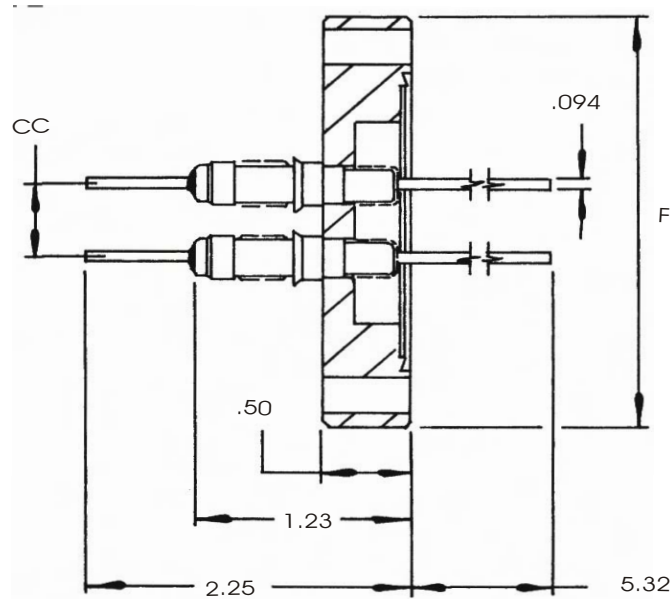
PHONE 864-876-9853

5000 VOLTS DC/ TO 15 AMPS**2 & 4 PIN**

NO PINS	AMPS	CONDUCTOR MATERIAL	FLANGE	CC	PART NUMBER	PRICE
2	15	COPPER	CF16	.31	A0269-3-CF	105.00
2	5	NICKEL	CF16	.31	A0269-1-CF	105.00
2	1	STN STL	CF16	.31	A0269-2-CF	105.00
4	15	COPPER	CF16	.38	A0270-3-CF	120.00
4	5	NICKEL	CF16	.38	A0270-1-CF	120.00
4	1	STN STL	CF16	.38	A0270-2 -CF	120.00

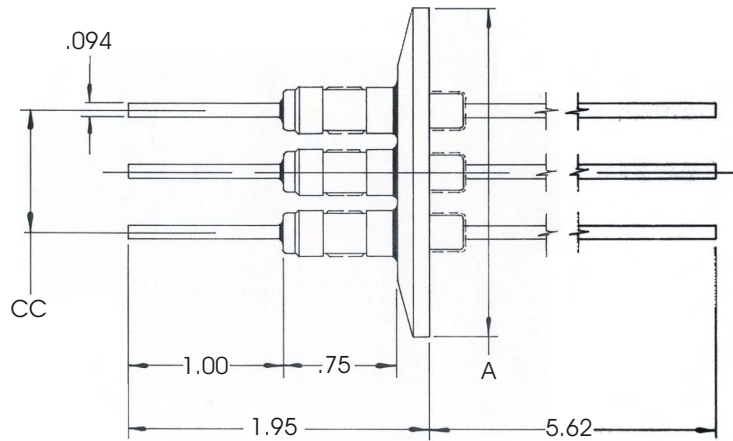
QUICK FLANGE**5000 VOLTS DC/ TO 15 AMPS****2 & 4 PIN**

NO PINS	AMPS	CONDUCTOR MATERIAL	FLANGE	CC	PART NUMBER	PRICE
2	15	COPPER	NW-16	.31	A0534-3-QF	105.00
2	5	NICKEL	NW-16	.31	A0534-1-QF	105.00
2	1	STN STL	NW-16	.31	A0534-2-QF	105.00
4	15	COPPER	NW-16	.38	A0535-3-QF	120.00
4	5	NICKEL	NW-16	.38	A0535-1-QF	120.00
4	1	STN STL	NW-16	.38	A0535-2-QF	120.00

5000 VOLTS DC/ TO 30 AMPS**1 TO 12 PIN**

NO PINS	AMPS	CONDUCTOR MATERIAL		F	CC	PART NUMBER	PRICE
1	30	COPPER	CF-16	1.33	--	A0273-1-CF	80.00
1	15	NICKEL	CF-16	1.33	--	A0273-2-CF	80.00
2	30	COPPER	CF-16	1.33	.36	A0275-1-CF	135.00
2	15	NICKEL	CF-16	1.33	.36	A0275-2-CF	135.00
2	30	COPPER	CF-40	2.75	.50	A0279-2-CF	140.00
2	15	NICKEL	CF-40	2.75	.50	A0279-1-CF	140.00
3	30	COPPER	CF-16	1.33	.40	A0277-1-CF	160.00
3	15	NICKEL	CF-16	1.33	.40	A0277-2-CF	160.00
4	30	COPPER	CF-40	2.75	.62	A0280-2-CF	195.00
4	15	NICKEL	CF-40	2.75	.62	A0280-1-CF	195.00
8	30	COPPER	CF-40	2.75	1.00	A0281-2-CF	300.00
8	15	NICKEL	CF-40	2.75	1.00	A0281-1-CF	300.00
12	30	COPPER	CF-40	2.75	1.21	A0283-2-CF	365.00
12	15	NICKEL	CF-40	2.75	1.21	A0283-1-CF	365.00

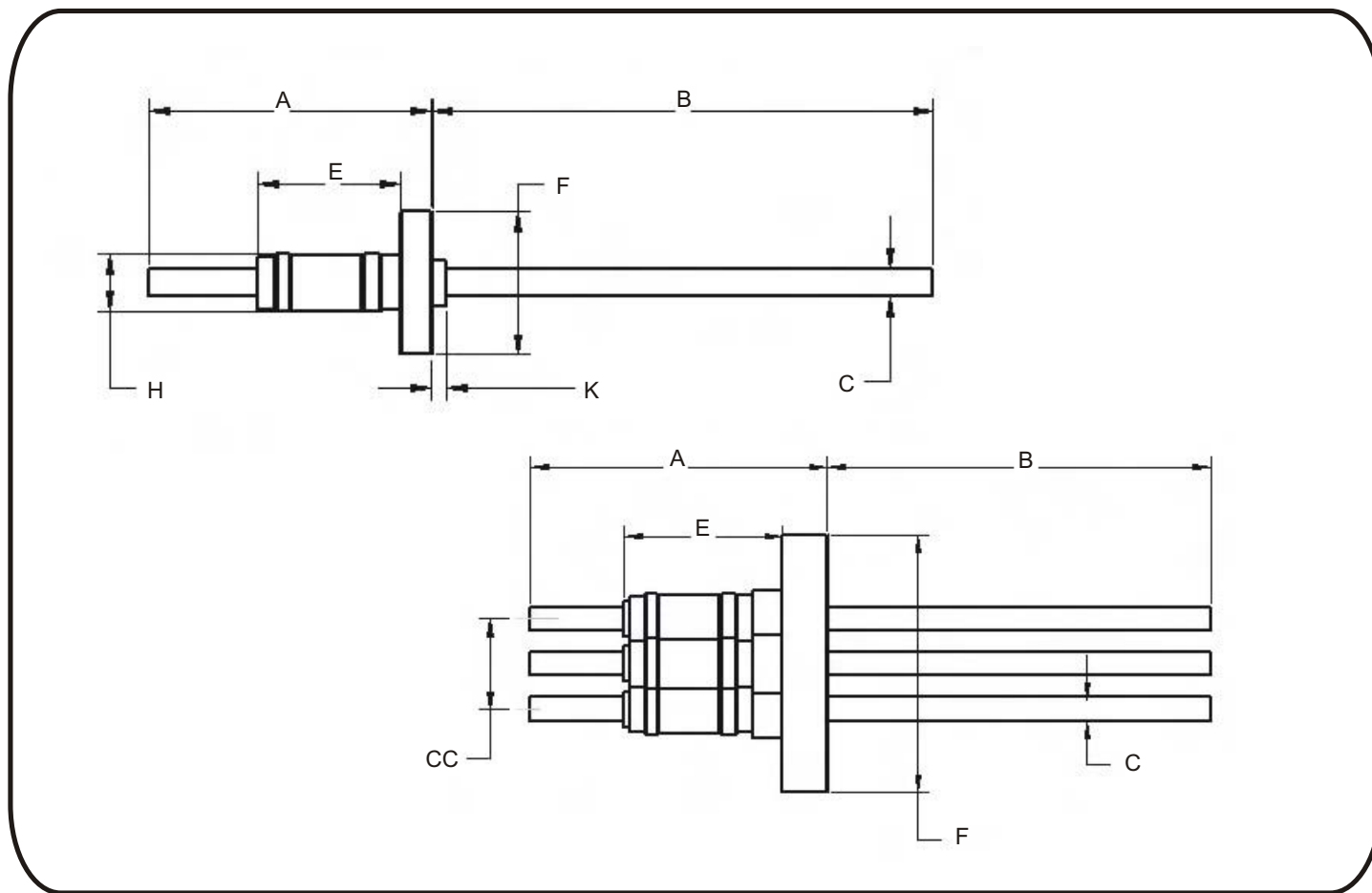
PHONE 864-876-9853

5000 VOLTS DC/ TO 30 AMPS**1 TO 12 PIN**

NO PINS	AMPS	CONDUCTOR MATERIAL	A	CC	PART NUMBER	PRICE
1	30	COPPER	1.18 NW-16	--	A0516-2-QF	80.00
1	15	NICKEL	1.18 NW-16	--	A0516-1-QF	80.00
2	30	COPPER	1.18 NW-16	.39	A0818-2-QF	135.00
2	15	NICKEL	1.18 NW-16	.39	A0818-1-QF	135.00
2	30	COPPER	2.16 NW-40	.50	A0515-2-QF	140.00
2	15	NICKEL	2.16 NW-40	.50	A0515-1-QF	140.00
3	30	COPPER	1.18 NW-16	.40	A0514-2-QF	160.00
3	15	NICKEL	1.18 NW-16	.40	A0514-1-QF	160.00
4	30	COPPER	2.16 NW-40	.62	A0513-2-QF	195.00
4	15	NICKEL	2.16 NW-40	.62	A0513-1-QF	195.00
8	30	COPPER	2.16 NW-40	1.00	A0509-2-QF	300.00
8	15	NICKEL	2.16 NW-40	1.00	A0509-1-QF	300.00
12	30	COPPER	2.16 NW-40	1.25	A0820-2-QF	365.00
12	15	NICKEL	2.16 NW-40	1.25	A0820-1-QF	365.00

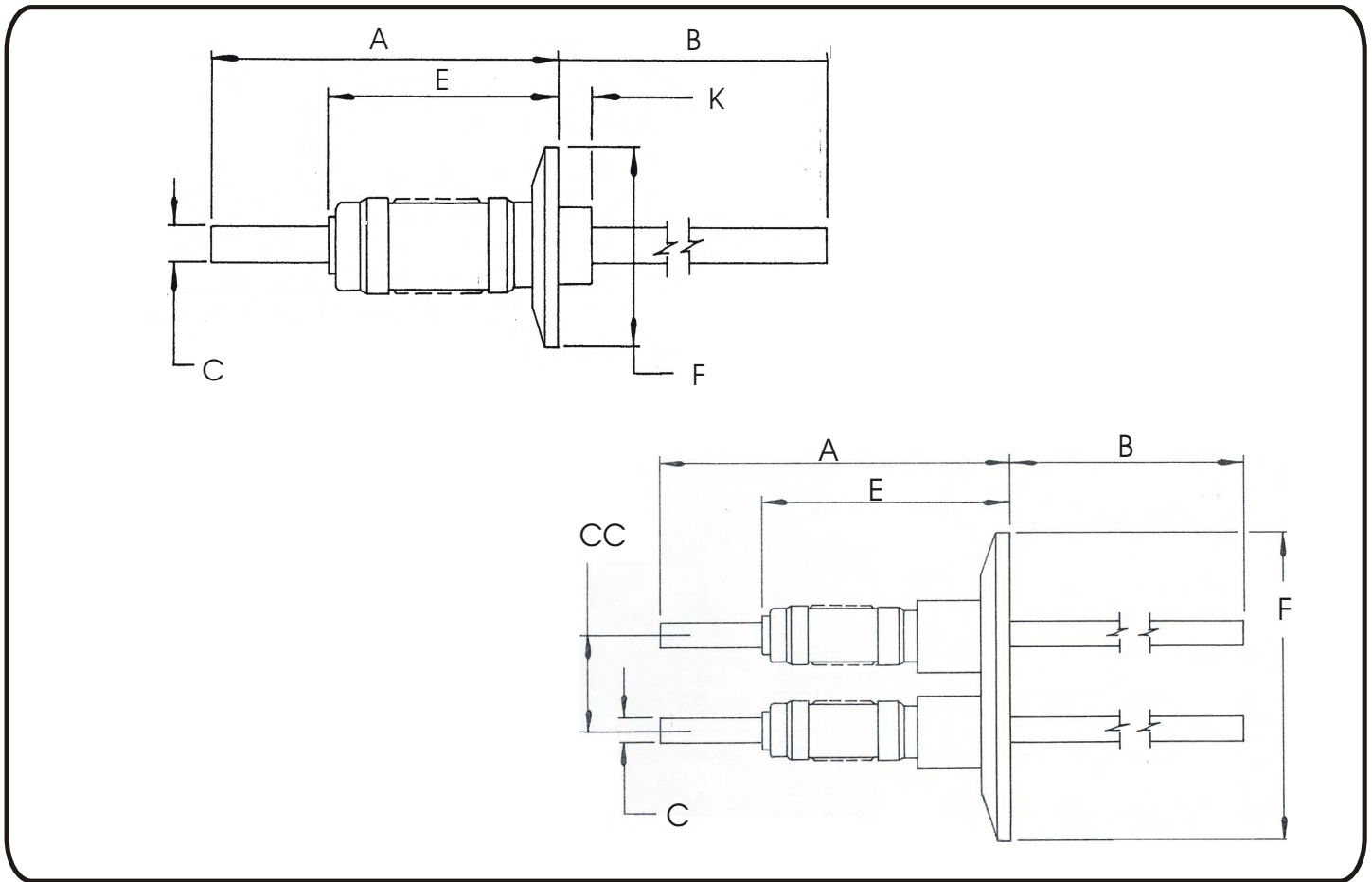
5000 VOLTS DC/ TO 150 AMPS

1 TO 4 PIN



FLANGE	NO PINS	AMPS	VOLTS	CONDUCTOR MATERIAL	A	B	C	CC	E	F	H	K	PART NO	PRICE
CF-16	1	150	5KV	COPPER	2.67	4.58	.25	--	1.67	1.33	.54	.14	A0049-1-CF	85.00
CF-16	1	75	5KV	NICKEL	2.67	4.58	.25	--	1.67	1.33	.54	.14	A0049-5-CF	85.00
CF-16	1	7	5KV	STN STL	2.67	4.58	.25	--	1.67	1.33	.54	.14	A0049-3-CF	85.00
CF-40	1	150	5KV	COPPER	3.18	4.07	.25	--	2.18	2.73	.54	--	A0113-1-CF	90.00
CF-40	1	75	5KV	NICKEL	3.18	4.07	.25	--	2.18	2.73	.54	--	A0113-5-CF	90.00
CF-40	1	7	5KV	STN STL	3.18	4.07	.25	--	2.18	2.73	.54	--	A0113-3-CF	90.00
CF-40	2	150	5KV	COPPER	3.18	4.07	.25	.75	2.18	2.73	.54	--	A0065-1-CF	170.00
CF-40	2	75	5KV	NICKEL	3.18	4.07	.25	.75	2.18	2.73	.54	--	A0065-5-CF	170.00
CF-40	2	7	5KV	STN STL	3.18	4.07	.25	.75	2.18	2.73	.54	--	A0065-3-CF	170.00
CF-40	3	150	5KV	COPPER	3.18	4.07	.25	.75	2.18	2.73	.54	--	A0064-1-CF	225.00
CF-40	3	75	5KV	NICKEL	3.18	4.07	.25	.75	2.18	2.73	.54	--	A0064-5-CF	225.00
CF-40	3	7	5KV	STN STL	3.18	4.07	.25	.75	2.18	2.73	.54	--	A0064-3-CF	225.00
CF-40	4	150	5KV	COPPER	3.18	4.07	.25	.75	2.18	2.73	.54	--	A0063-1-CF	275.00
CF-40	4	75	5KV	NICKEL	3.18	4.07	.25	.75	2.18	2.73	.54	--	A0063-5-CF	275.00
CF-40	4	7	5KV	STN.STL	3.18	4.07	.25	.75	2.18	2.73	.54	--	A0063-3-CF	275.00

PHONE 864-876-9853

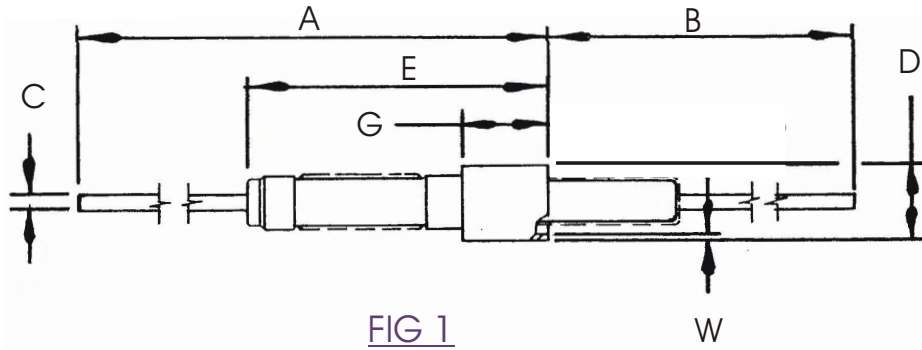
5000 VOLTS DC/ TO 150 AMPS**1 TO 4 PIN**

FLANGE	NO PINS	VOLTS	AMPS	CONDUCTOR MATERIAL	A	B	C	E	F	K	CC	PART NO	PRICE
NW-16	1	5KV	150	COPPER	2.60	4.65	.25	1.60	1.18	.23	--	AO117-1-QF	80.00
NW-16	1	5KV	75	NICKEL	2.60	4.65	.25	1.60	1.18	.23	--	AO117-5-QF	80.00
NW-16	1	5KV	7	STN STL	2.60	4.65	.25	1.60	1.18	.23	--	AO117-3-QF	80.00
NW-40	1	5KV	150	COPPER	3.13	4.12	.25	2.13	2.16	--	--	AO118-1-QF	85.00
NW-40	1	5KV	75	NICKEL	3.13	4.12	.25	2.13	2.16	--	--	AO118-5-QF	85.00
NW-40	1	5KV	7	STN STL	3.13	4.12	.25	2.13	2.16	--	--	AO118-3-QF	85.00
NW-40	2	5KV	150	COPPER	3.13	4.12	.25	2.13	2.16	--	.75	AO114-1-QF	160.00
NW-40	2	5KV	75	NICKEL	3.13	4.12	.25	2.13	2.16	--	.75	AO114-5-QF	160.00
NW-40	2	5KV	7	STN STL	3.13	4.12	.25	2.13	2.16	--	.75	AO114-3-QF	160.00
NW-40	3	5KV	150	COPPER	3.13	4.12	.25	2.13	2.16	--	.95	AO115-1-QF	215.00
NW-40	3	5KV	75	NICKEL	3.13	4.12	.25	2.13	2.16	--	.95	AO115-5-QF	215.00
NW-40	3	5KV	7	STN STL	3.13	4.12	.25	2.13	2.16	--	.95	AO115-3-QF	215.00
NW-50	4	5KV	150	COPPER	3.13	4.12	.25	2.13	2.95	--	.95	AO116-1-QF	275.00
NW-50	4	5KV	75	NICKEL	3.13	4.12	.25	2.13	2.95	--	.95	AO116-5-QF	275.00
NW-50	4	5KV	7	STN STL	3.13	4.12	.25	2.13	2.95	--	.95	AO116-3-QF	275.00

PHONE 864-876-9853

10,000 VOLTS DC/ TO 30 AMPS

1 PIN

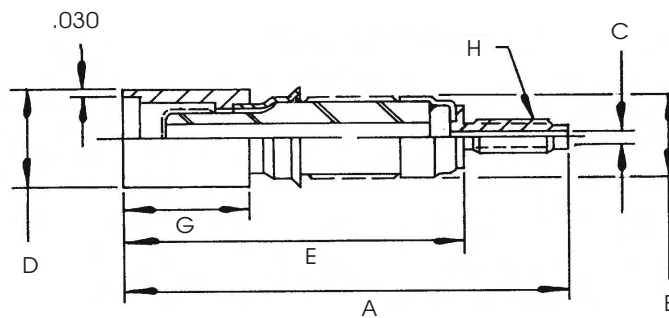


VOLTS DC	AMPS	CONDUCTOR MATERIAL	FIG	A	B	C	D	E	G	W	PART NO	PRICE
10KV	30	COPPER	1	2.63	4.62	.094	.435	1.63	.50	.030	A0066-5-W	30.00
10KV	15	NICKEL	1	2.63	4.62	.092	.435	1.63	.50	.030	A0066-3-W	30.00

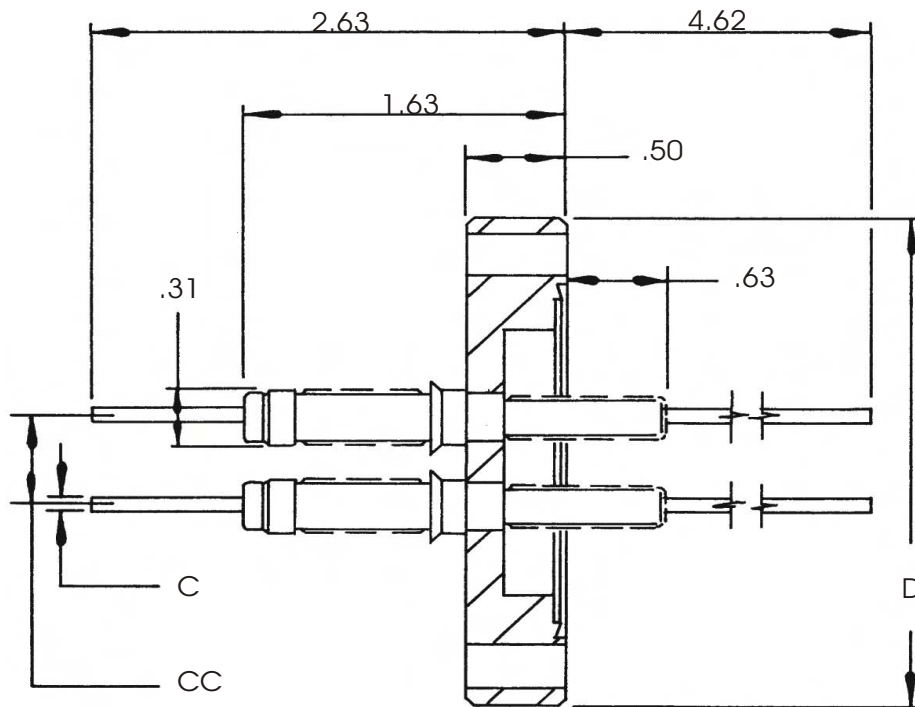
WELDABLE

10,000 VOLTS DC/

0 PIN



VOLTS	A	B	C	D	E	G	H	PART NUMBER	PRICE
10,000	2.79	.54	.150	.622	2.13	.75	.250-28	A0038-1-W	50.00

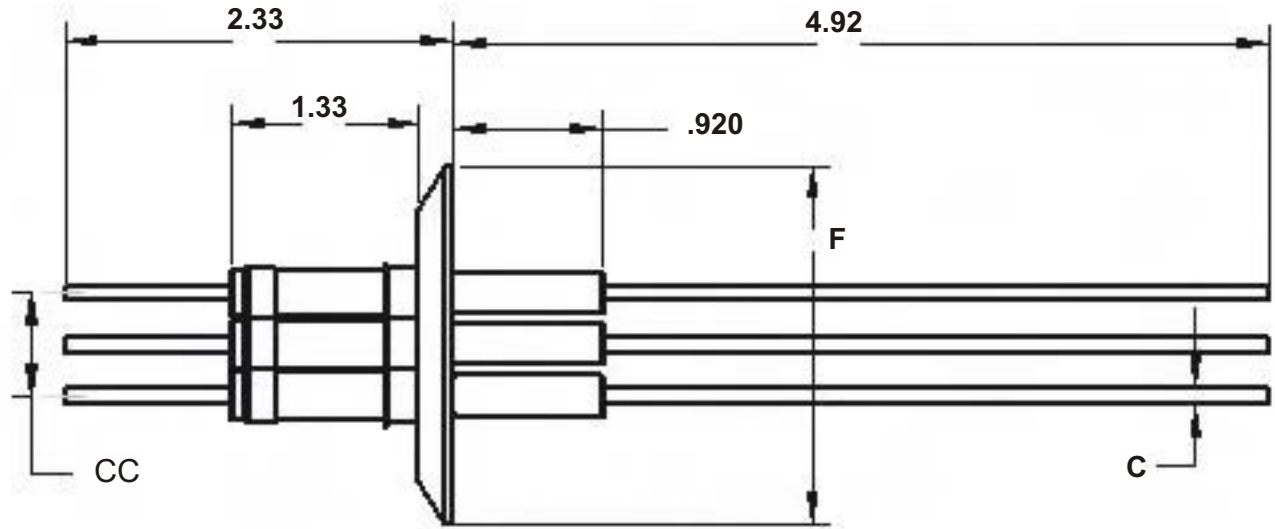
10,000 VOLTS DC/ TO 30 AMPS**1 TO 4 PINS**

FLANGE	NO PINS	AMPS	CONDUCTOR MATERIAL	C	D	CC	PART NUMBER	PRICE
CF-16	* 1	30	COPPER	.094	1.33	--	A0043-5-CF	120.00
CF-16	* 1	15	NICKEL	.094	1.33	--	A0043-3-CF	120.00
CF-16	* 2	30	COPPER	.094	1.33	.38	A0042-3-CF	165.00
CF-16	* 2	15	NICKEL	.094	1.33	.38	A0042-1-CF	165.00
CF-40	* 2	30	COPPER	.094	2.73	.50	A0044-3-CF	170.00
CF-40	* 2	15	NICKEL	.094	2.73	.50	A0044-1-CF	170.00
CF-40	* 4	30	COPPER	.094	2.73	.62	A0045-3-CF	235.00
CF-40	* 4	15	NICKEL	.094	2.73	.62	A0045-1-CF	235.00

* Indicates products suitable for -200 C cryogenic applications.

10,000 VOLTS DC/ TO 30 AMPS

1 TO 4 PINS

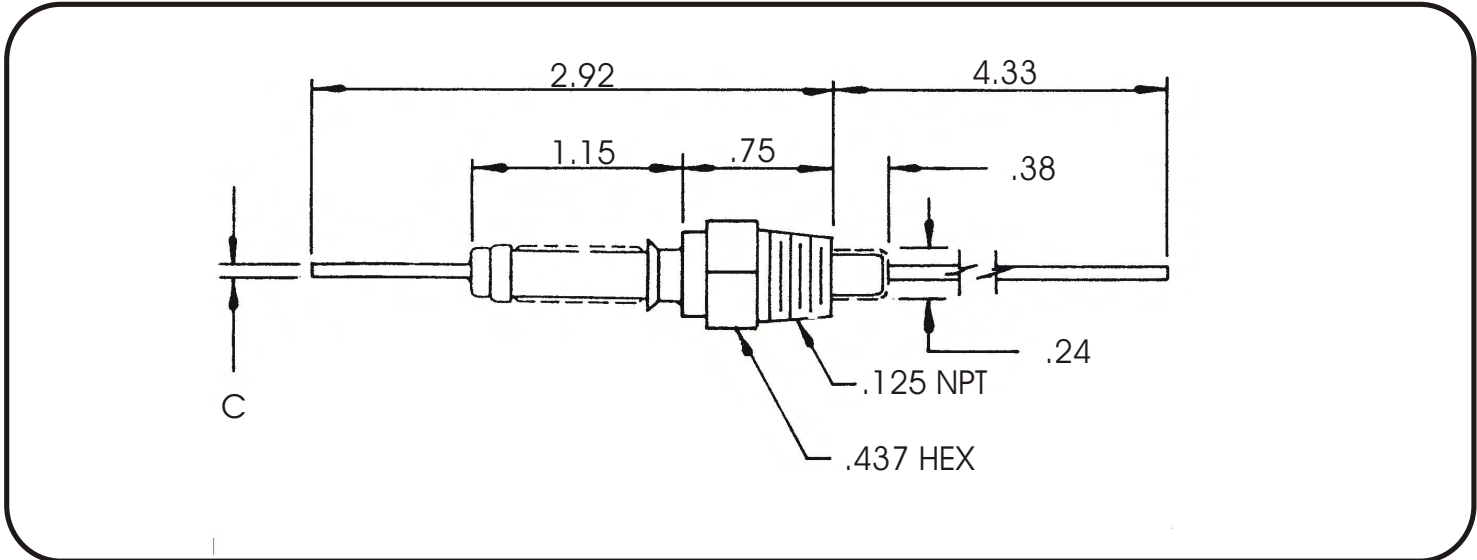


FLANGE	NO PINS	AMPS	CONDUCTOR MATERIAL	C	F	CC	PART NUMBER	PRICE
NW-16	1	30	COPPER	.094	1.18	--	A0508-2-QF	120.00
NW-16	1	15	NICKEL	.092	1.18	--	A0508-1-QF	120.00
NW-16	2	30	COPPER	.094	1.18	.39	A0781-2-QF	165.00
NW-16	2	15	NICKEL	.092	1.18	.39	A0781-1-QF	165.00
NW-40	2	30	COPPER	.094	2.16	.50	A0507-2-QF	170.00
NW-40	2	15	NICKEL	.092	2.16	.50	A0507-1-QF	170.00
NW-40	4	30	COPPER	.094	2.16	.62	A0506-2-QF	235.00
NW-40	4	15	NICKEL	.092	2.16	.62	A0506-1-QF	235.00

PHONE 864-876-9853

10,000 VOLTS DC/ TO 30 AMPS

1 PIN



NO PINS	AMPS	CONDUCTOR MATERIAL	C	PART NUMBER	PRICE
1	30	COPPER	.094	A0040-5-NPT	85.00
1	15	NICKEL	.094	A0040-3-NPT	85.00
1	15	COPPER	.050	A0040-7-NPT	85.00
1	5	NICKEL	.050	A0040-4-NPT	85.00



12,000 VOLTS DC/ TO 100 AMPS

1 PIN

FIG 1

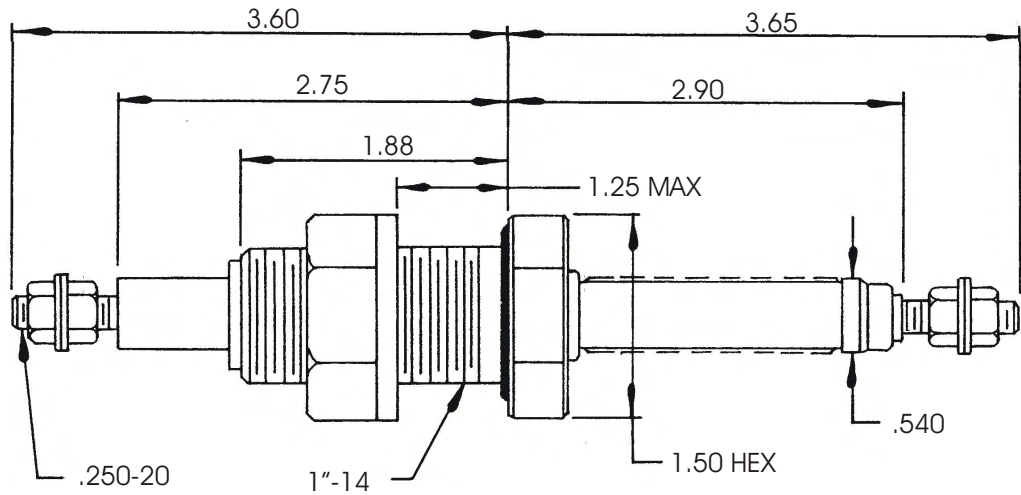
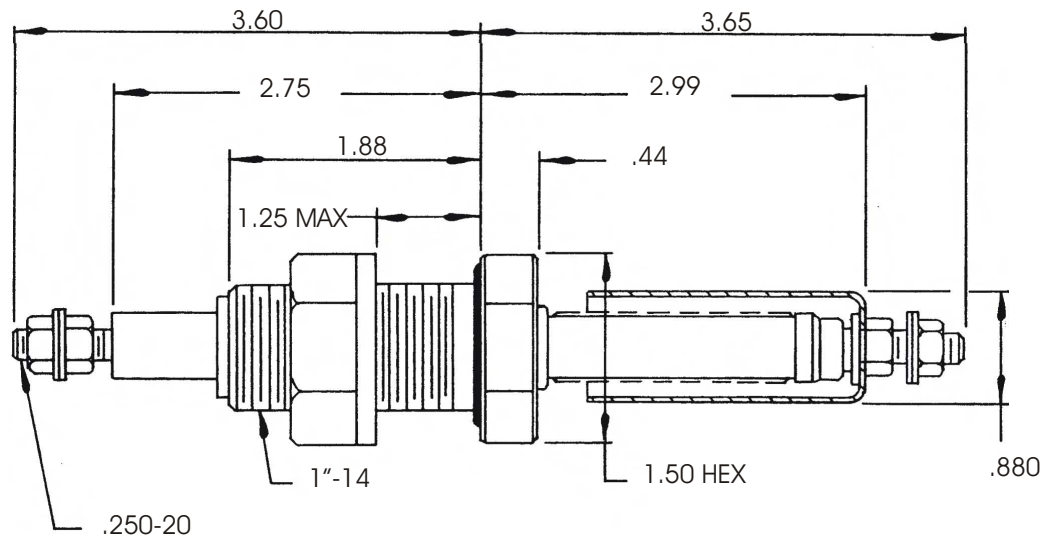


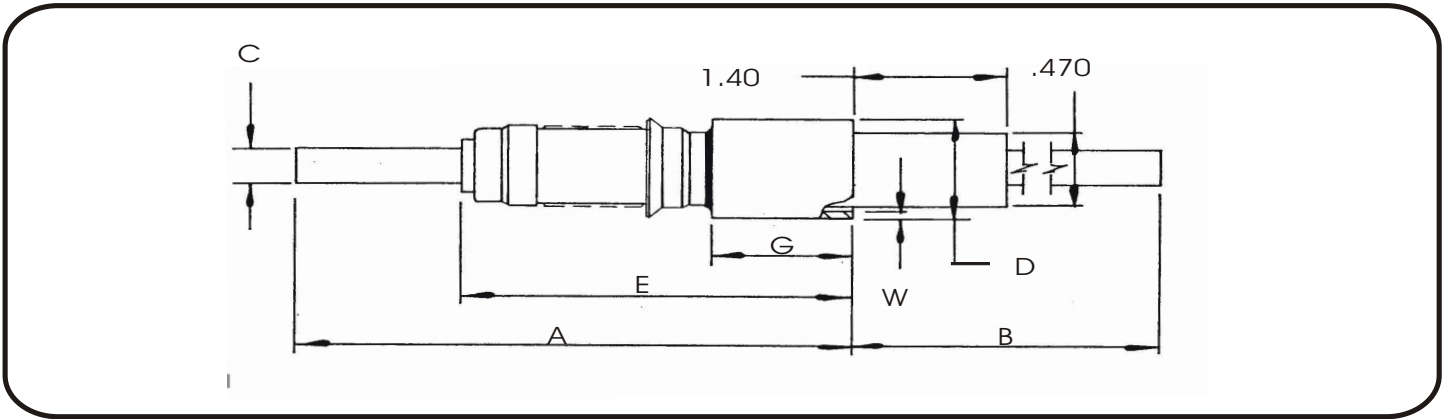
FIG 2



NO PINS	TYPE	VOLTS	AMPS	CONDUCTOR MATERIAL	FIG	PART NUMBER	PRICE
1	EXPOSED	12KV	100	COPPER	1	A0544-1-BP	440.00
1	EXPOSED	12KV	50	NICKEL	1	A0544-2-BP	440.00
1	EXPOSED	12KV	5	STN STL	1	A0544-3-BP	440.00
1	SHIELDED	12KV	100	COPPER	2	A0545-1-BP	485.00
1	SHIELDED	12KV	50	NICKEL	2	A0545-2-BP	485.00
1	SHIELDED	12KV	5	STN STL	2	A0545-3-BP	485.00

12,000 VOLTS DC/ TO 150 AMPS

1 PIN

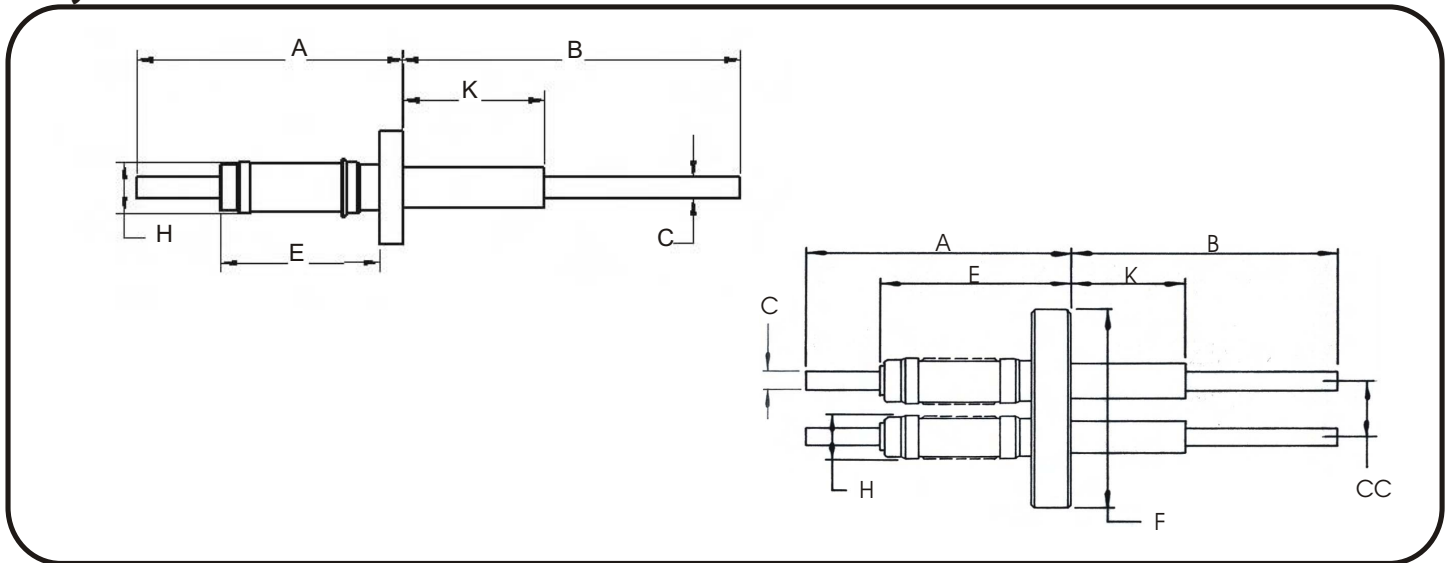


VOLTS DC	AMPS	CONDUCTOR MATERIAL	A	B	C	D	E	G	W	PART NO	PRICE
12KV	150	COPPER	3.57	3.68	.25	.684	2.57	.63	.030	A0548-1-W	100.00
12KV	75	NICKEL	3.57	3.68	.25	.684	2.57	.63	.030	A0548-3-W	100.00
12KV	7	STN STL	3.57	3.68	.25	.684	2.57	.63	.030	A0548-2-W	100.00

CONFLAT FLANGE

12,000 VOLTS DC/ TO 150 AMPS

1 TO 2 PINS



FLANGE	NO PINS	AMPS	VOLTS	CONDUCTOR MATERIAL	A	B	C	CC	E	F	H	K	PART NO	PRICE
CF-16	1	150	12KV	COPPER	3.25	4.00	.25	.78	2.25	1.33	.60	1.69	A0549-1-CF	190.00
CF-16	1	75	12KV	NICKEL	3.25	4.00	.25	.78	2.25	1.33	.60	1.69	A0549-3-CF	190.00
CF-16	1	7	12KV	STN STL	3.25	4.00	.25	.78	2.25	1.33	.60	1.69	A0549-2-CF	190.00
CF-40	1	150	12KV	COPPER	3.61	3.23	.25	.78	2.61	2.73	.60	1.35	A0551-1-CF	190.00
CF-40	1	75	12KV	NICKEL	3.61	3.23	.25	.78	2.61	2.73	.60	1.35	A0551-3-CF	190.00
CF-40	1	7	12KV	STN STL	3.61	3.23	.25	.78	2.61	2.73	.60	1.35	A0551-2-CF	190.00
CF-40	2	150	12KV	COPPER	3.61	3.23	.25	.78	2.61	2.73	.60	1.35	A0550-1-CF	400.00
CF-40	2	75	12KV	NICKEL	3.61	3.23	.25	.78	2.61	2.73	.60	1.35	A0550-3-CF	400.00
CF-40	2	7	12KV	STN STL	3.61	3.23	.25	.78	2.61	2.73	.60	1.35	A0550-2-CF	400.00

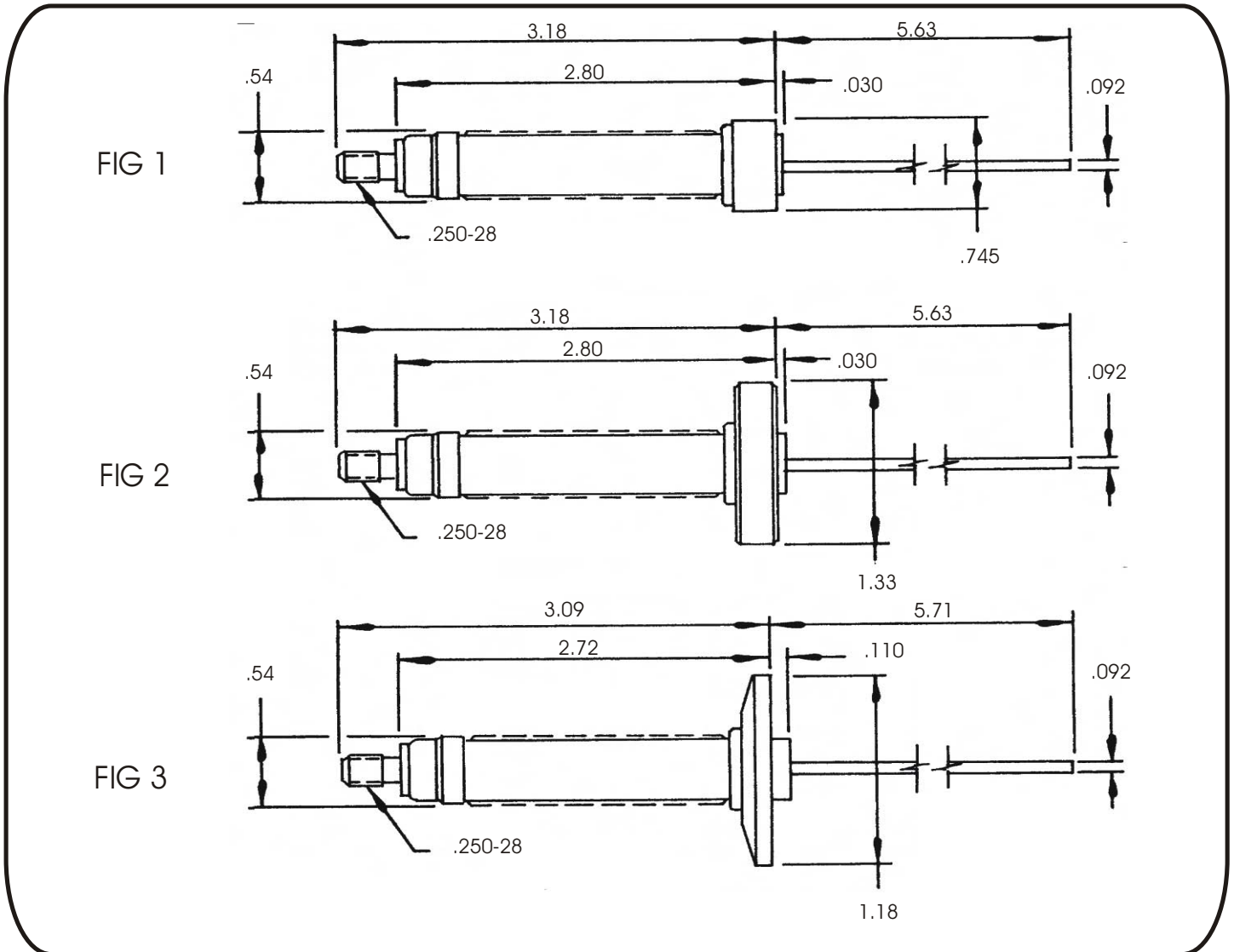
POWER

MPFPI.COM

WELDABLE/ CF FLANGE/ QUICK FLANGE

20,000 VOLTS DC/ TO 15 AMPS

1 PINS



NO PINS	AMPS	CONDUCTOR MATERIAL	FIG	MOUNT	PART NUMBER	PRICE
1	15	NICKEL	1	WELDABLE	A0531-1-W	80.00
1	15	NICKEL	2	CF FLANGE	A0533-1-CF	110.00
1	15	NICKEL	3	QUICK FLANGE	A0532-1-QF	110.00

PHONE 864-876-9853

20,000 TO 30,000 VOLTS DC/ TO 150 AMPS/ 1 TO 2 PINS

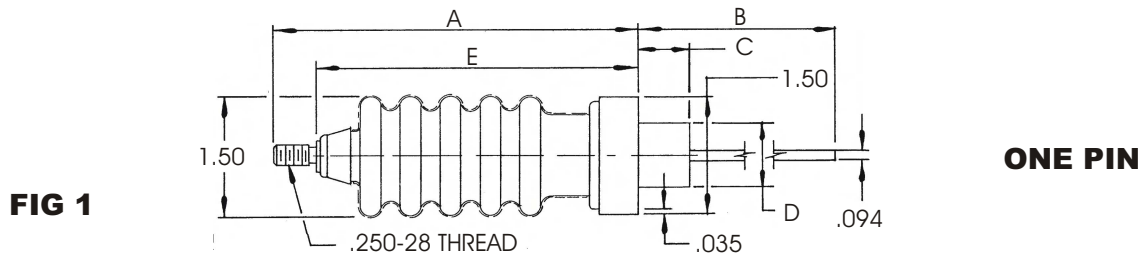


FIG 1

ONE PIN

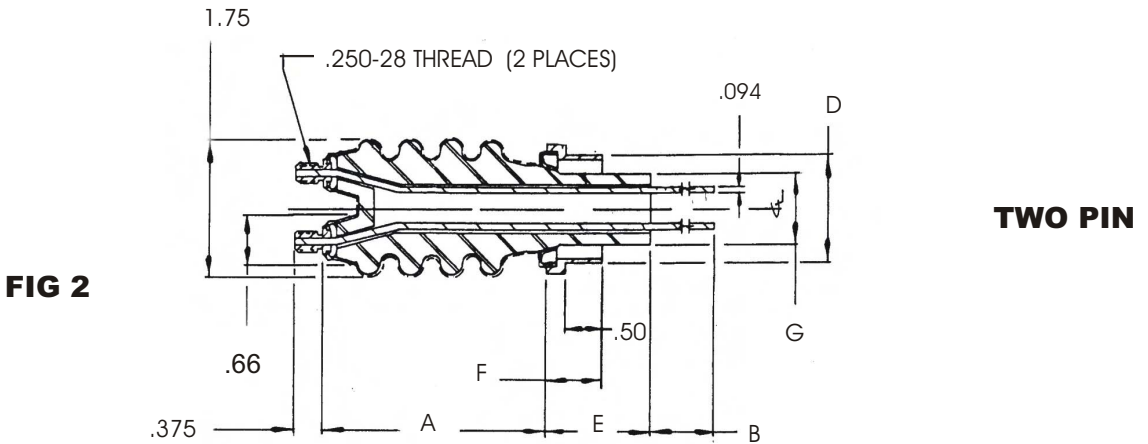


FIG 2

TWO PIN

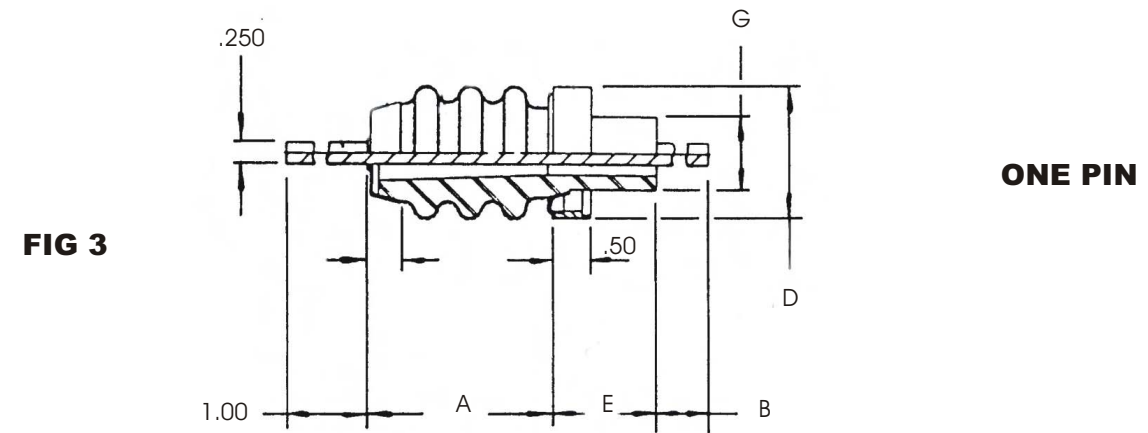
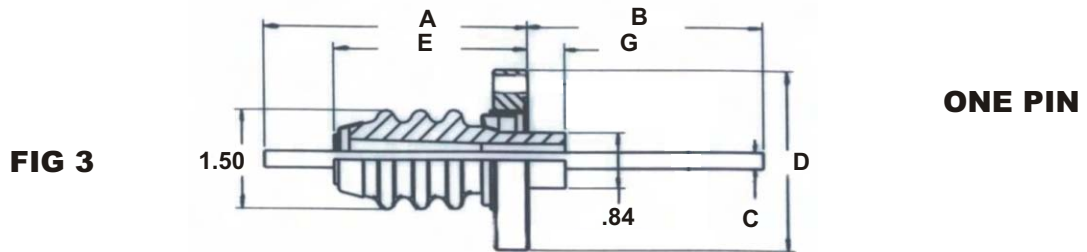
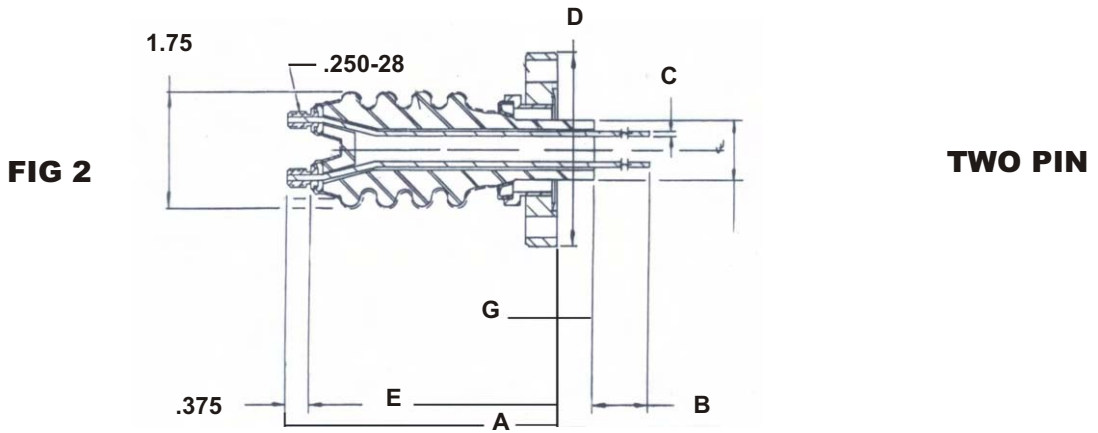
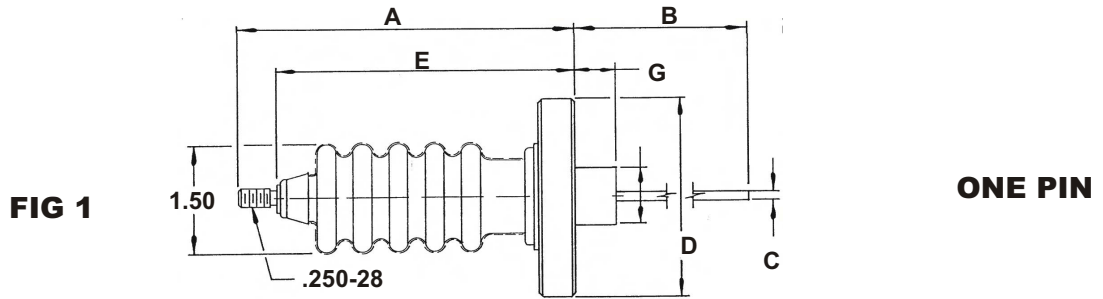


FIG 3

ONE PIN

VOLTS	MOUNT	FIG	A	B	C	D	E	F	G	PART NUMBER	PRICE
20KV	WELDABLE	1	3.07	5.81	--	--	2.69			AO232-1-W	130.00
25KV	WELDABLE	1	3.57	5.31	--	--	3.19			AO231-1-W	145.00
30KV	WELDABLE	1	4.07	4.81	.69	.81	3.69			A0230-1-W	155.00
20KV	WELDABLE	3	2.25	2.88	--	1.50	1.12	--	.84	A0658-1-W	175.00
20KV	WELDABLE	3	2.25	2.88	--	1.50	1.12	--	.84	A0658-2-W	175.00
25KV	WELDABLE	2	2.94	1.00	--	1.50	1.40	.687	1.08	A2090-1-W	345.00

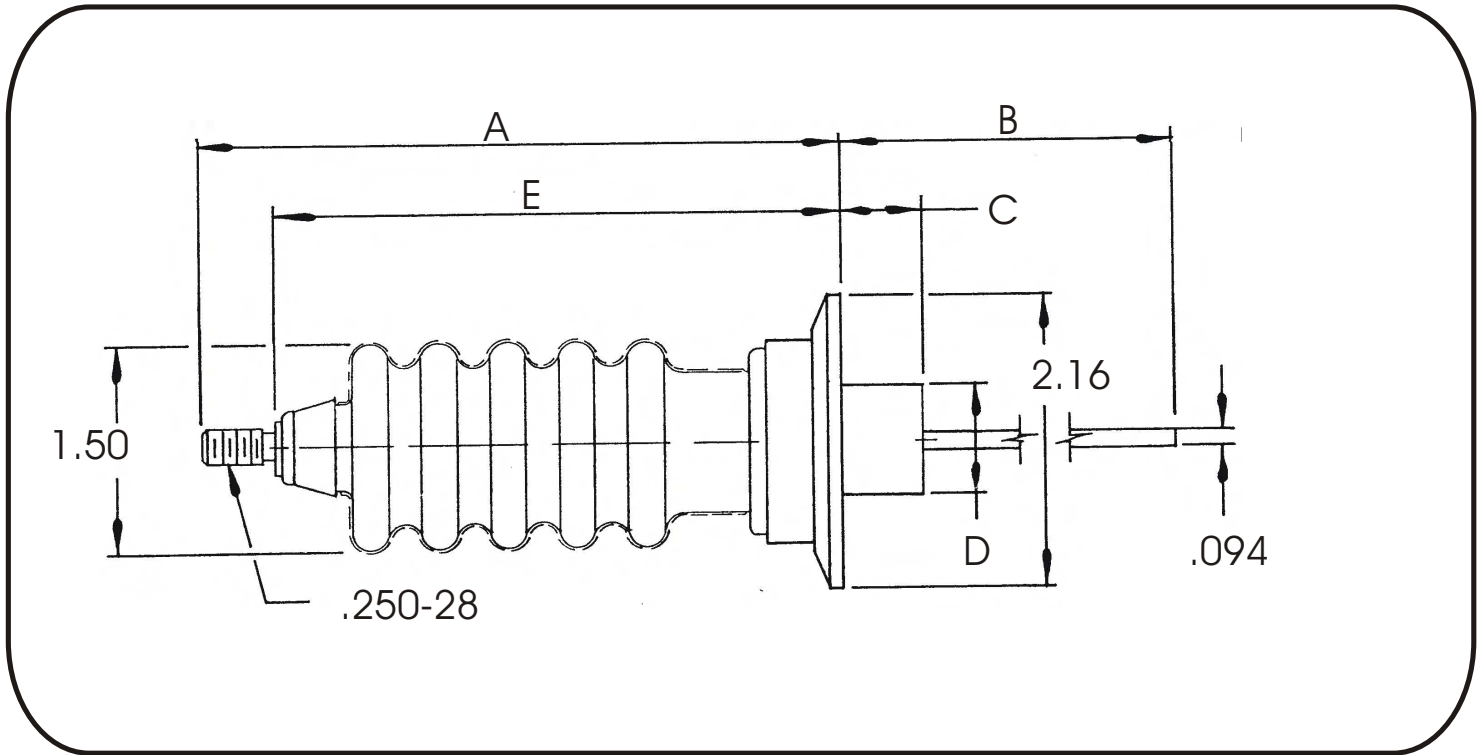
20,000 TO 30,000 VOLTS DC/ TO 150 AMPS/ 1 TO 2 PINS



VOLTS	MOUNT	FIG	A	B	C	D	E	G	PART NUMBER	PRICE
20KV	CF40	3	3.70	3.55	.250	2.75	2.70	.57	A1158-1-CF	250.00
20KV	CF40	3	3.70	3.55	.250	2.75	2.70	.57	A1158-2-CF	250.00
20KV	CF40	1	3.12	5.76	.094	2.75	2.74	--	A0234-1-CF	210.00
20KV	CF40	1	3.62	5.26	.094	2.75	3.24	--	A0234-3-CF	225.00
20KV	CF40	2	4.05	1.66	.094	2.75	3.67	.66	A2089-1-CF	425.00
25KV	CF40	1	4.12	4.76	.094	2.75	3.74	.64	A0234-5-CF	215.00

PHONE 864-876-9853

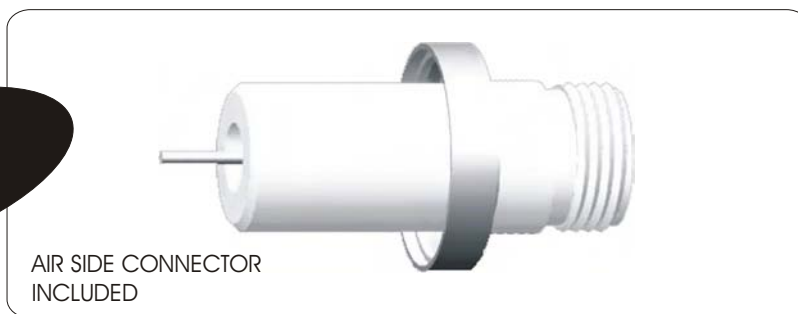
20,000 TO 30,000 VOLTS DC/ TO 30 AMPS/ 1 TO 3 PINS



VOLTS	MOUNT	FIG	A	B	C	D	E	PART NUMBER	PRICE
20KV	NW-40	1	3.12	5.71	--	--	2.79	AO235-2-QF	210.00
25KV	NW-40	1	3.67	5.21	--	--	3.29	AO235-4-QF	225.00
30KV	NW-40	1	4.17	4.71	.59	.81	3.79	AO235-6-QF	205.00

40,000 VOLTS DC/ TO 7 AMPS/ 1 PIN

NEW



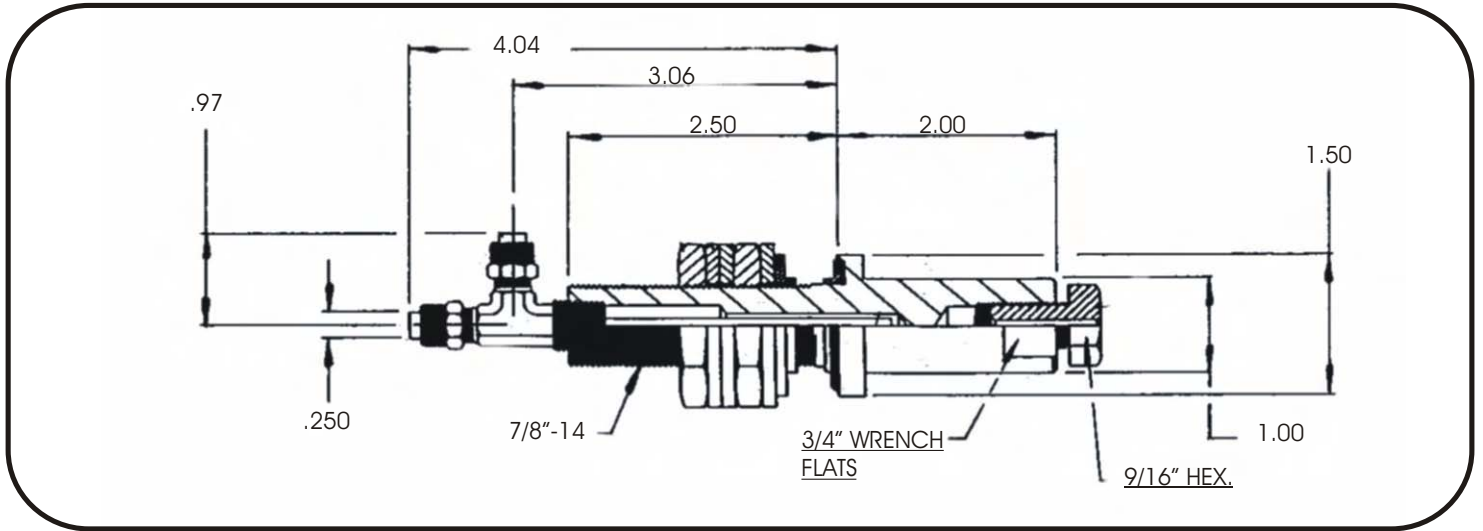
MOUNTED ON

**WELDABLE
CONFLATE FLANGE
QUICK FLANGE**

VOLTS	MOUNT	PART NUMBER	PRICE
40,000	WELDABLE	A2607-1-W	395.00
40,000	QF-40 2.16	A2606-1-QF	425.00
40,000	QF-50 2.95	A2606-2-QF	425.00
40,000	CF-40 2.73	A2605-1-CF	425.00
EXTRA CONNECTOR		A2608-1-CN	125.00

50 VOLTS DC/ 1000 AMPS

WATERCOOLED

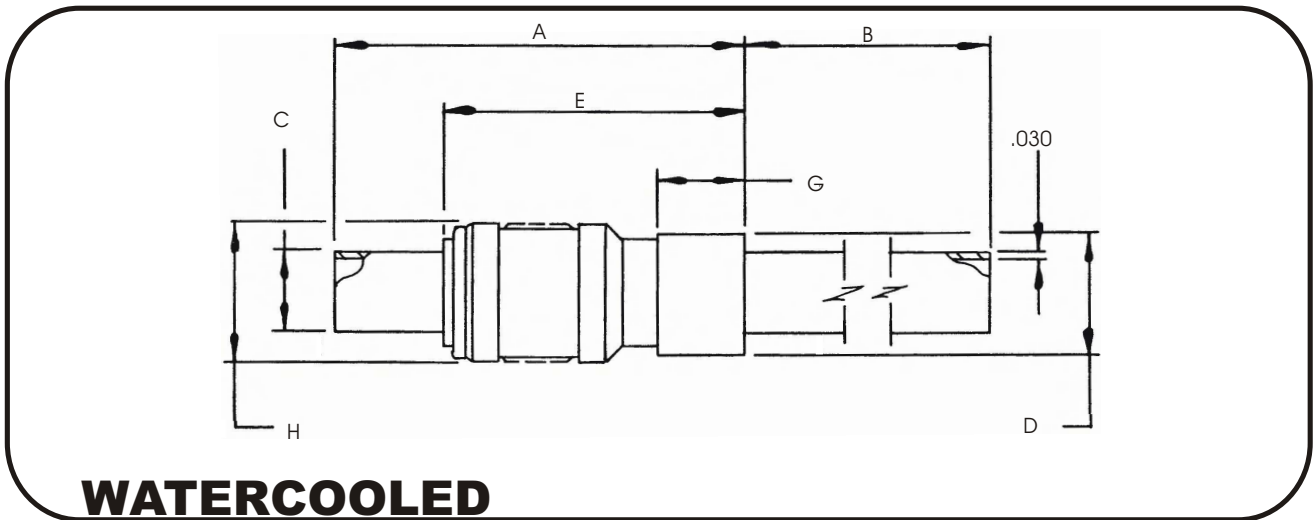


NO PINS	MATERIAL CONDUCTOR	NUMBER PART	PRICE
1	COPPER	A1658-1-BP	240.00

WELDABLE

3000 TO 5000 VOLTS DC/

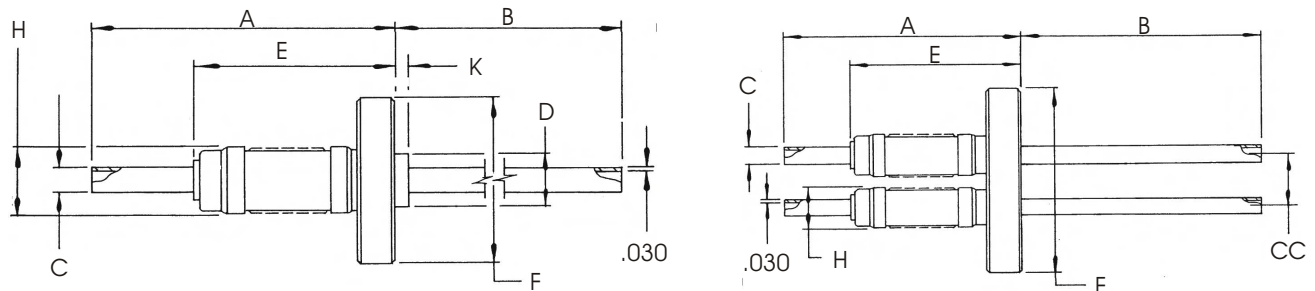
1 TUBE



WATERCOOLED

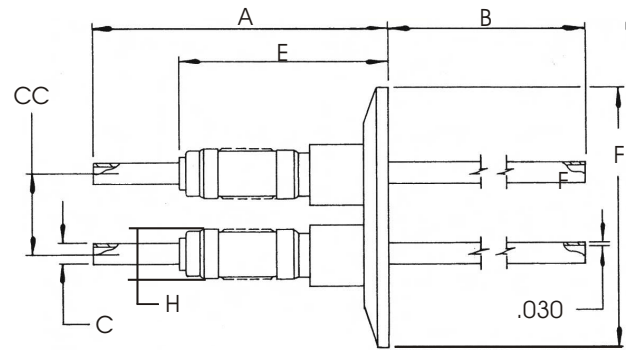
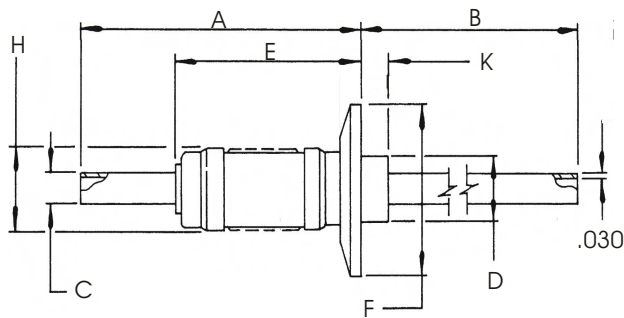
NO PINS	VOLTS	CONDUCTOR MATERIAL	A	B	C	D	E	G	H	PART NO	PRICE
1	3KV	COPPER	3.85	3.40	.75	1.120	2.85	.75	1.30	A0122-1-W	140.00
1	3KV	COPPER	3.15	4.10	.38	.747	2.15	.75	.78	A0108-1-W	70.00
1	5KV	COPPER	3.13	4.12	.25	.622	2.13	.75	.54	A0106-4-W	60.00
1	5KV	NICKEL	3.13	4.12	.25	.622	2.13	.75	.54	A0106-6-W	60.00
1	5KV	STN STL	3.13	4.12	.25	.622	2.13	.75	.54	A0106-5-W	60.00

PHONE 864-876-9853

3000 TO 5000 VOLTS DC/**1 TO 4 TUBES****WATERCOOLED**

FLANGE	NO	VOLTS	CONDUCTOR	A	B	C	D	E	F	H	K	CC	PART	PRICE
	PINS		MATERIAL										NO	
CF-16	1	3KV	COPPER	3.90	3.35	.75	--	2.90	2.73	1.30	--	--	A0236-1-CF	190.00
CF-16	1	3KV	COPPER	2.69	4.57	.38	--	1.69	1.33	.78	--	--	A0221-1-CF	125.00
CF-16	1	5KV	COPPER	2.67	4.58	.25	.42	1.67	1.33	.54	.14	--	A0049-2-CF	85.00
CF-16	1	5KV	NICKEL	2.67	4.58	.25	.42	1.67	1.33	.54	.14	--	A0049-6-CF	85.00
CF-16	1	5KV	STN STL	2.67	4.58	.25	.42	1.67	1.33	.54	.14	--	A0049-4-CF	85.00
CF-40	1	5KV	COPPER	3.18	4.07	.25	--	2.18	2.73	.54	--	--	A0113-2-CF	90.00
CF-40	1	5KV	NICKEL	3.18	4.07	.25	--	2.18	2.73	.54	--	--	A0113-6-CF	90.00
CF-40	1	5KV	STN STL	3.18	4.12	.25	--	2.18	2.73	.54	--	--	A0113-4-CF	90.00
CF-40	2	5KV	COPPER	3.18	4.12	.25	--	2.18	2.73	.54	--	.75	A0065-2-CF	170.00
CF-40	2	5KV	NICKEL	3.18	4.07	.25	--	2.18	2.73	.54	--	.75	A0065-6-CF	170.00
CF-40	2	5KV	STN STL	3.18	4.07	.25	--	2.18	2.73	.54	--	.75	A0065-4-CF	170.00
CF-40	3	5KV	COPPER	3.18	4.07	.25	--	2.18	2.73	.54	--	.95	A0064-2-CF	225.00
CF-40	3	5KV	NICKEL	3.18	4.12	.25	--	2.18	2.73	.54	--	.95	A0064-6-CF	225.00
CF-40	3	5KV	STN STL	3.18	4.12	.25	--	2.18	2.73	.54	--	.95	A0064-4-CF	225.00
CF-40	4	5KV	COPPER	3.18	4.12	.25	--	2.18	2.73	.54	--	.95	A0063-2-CF	275.00
CF-40	4	5KV	NICKEL	3.18	4.12	.25	--	2.18	2.73	.54	--	.95	A0063-6-CF	275.00
CF-40	4	5KV	STN STL	3.18	4.12	.25	--	2.18	2.73	.54	--	.95	A0063-4-CF	275.00

PHONE 864-876-9853

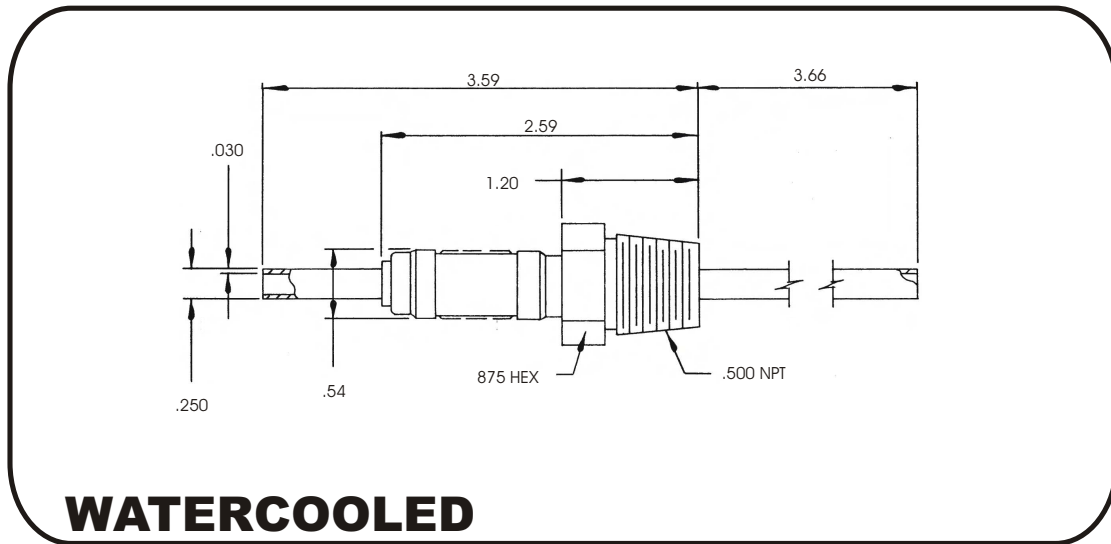
3000 TO 5000 VOLTS DC/**1 TO 4 TUBES****WATERCOOLED**

FLANGE	NO PINS	VOLTS	CONDUCTOR MATERIAL	A	B	C	D	E	F	H	K	CC	PART NO	PRICE
NW-16	1	3KV	COPPER	3.85	3.40	.75	--	2.85	2.16	1.30	--	--	A0219-1-QF	175.00
NW-16	1	3KV	COPPER	3.15	4.10	.38	--	2.15	2.16	.78	--	--	A0220-1-QF	125.00
NW-16	1	5KV	COPPER	2.60	4.65	.25	.42	1.60	1.18	.54	.23	--	A0117-2-QF	80.00
NW-16	1	5KV	NICKEL	2.60	4.65	.25	.42	1.60	1.18	.54	.23	--	A0117-6-QF	80.00
NW-16	1	5KV	STN STL	2.60	4.65	.25	.42	1.60	1.18	.54	.23	--	A0117-4-QF	80.00
NW-40	1	5KV	COPPER	3.13	4.12	.25	--	2.13	2.16	.54	--	--	A0118-2-QF	85.00
NW-40	1	5KV	NICKEL	3.13	4.12	.25	--	2.13	2.16	.54	--	--	A0118-6-QF	85.00
NW-40	1	5KV	STN STL	3.13	4.12	.25	--	2.13	2.16	.54	--	--	A0118-4-QF	85.00
NW-40	2	5KV	COPPER	3.13	4.12	.25	--	2.13	2.16	.54	--	.75	A0114-2-QF	160.00
NW-40	2	5KV	NICKEL	3.13	4.12	.25	--	2.13	2.16	.54	--	.75	A0114-6-QF	160.00
NW-40	2	5KV	STN STL	3.13	4.12	.25	--	2.13	2.16	.54	--	.75	A0114-4-QF	160.00
NW-40	3	5KV	COPPER	3.13	4.12	.25	--	2.13	2.16	.54	--	.95	A0115-2-QF	215.00
NW-40	3	5KV	NICKEL	3.13	4.12	.25	--	2.13	2.16	.54	--	.95	A0115-6-QF	215.00
NW-40	3	5KV	STN STL	3.13	4.12	.25	--	2.13	2.16	.54	--	.95	A0115-4-QF	215.00
NW-50	4	5KV	COPPER	3.13	4.12	.25	--	2.13	2.95	.54	--	.95	A0116-2-QF	275.00
NW-50	4	5KV	NICKEL	3.13	4.12	.25	--	2.13	2.95	.54	--	.95	A0116-6-QF	275.00
NW-50	4	5KV	STN STL	3.13	4.12	.25	--	2.13	2.95	.54	--	.95	A0116-4-QF	275.00

PHONE 864-876-9853

3000 TO 5000 VOLTS DC/

1 TUBE

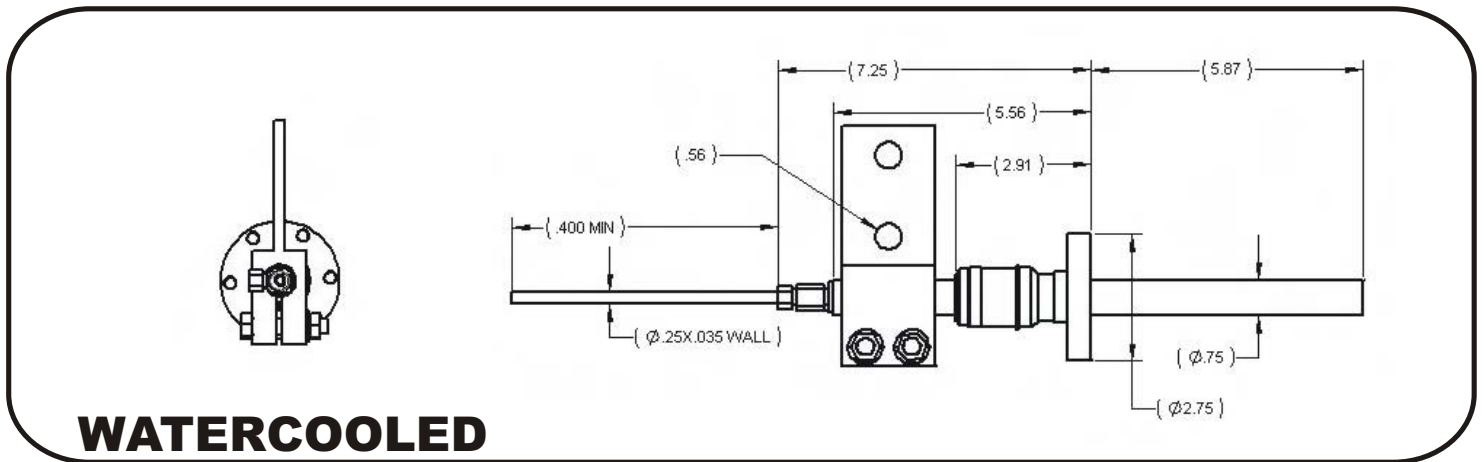


NO PINS	CONDUCTOR MATERIAL	PART NUMBER	PRICE
1	COPPER	A0003-2-NPT	115.00
1	NICKEL	A0003-6-NPT	115.00
1	STN STL	A0003-4-NPT	115.00

CONFLAT FLANGE

3000 VOLTS DC/ 1000 AMPS

1 PIN



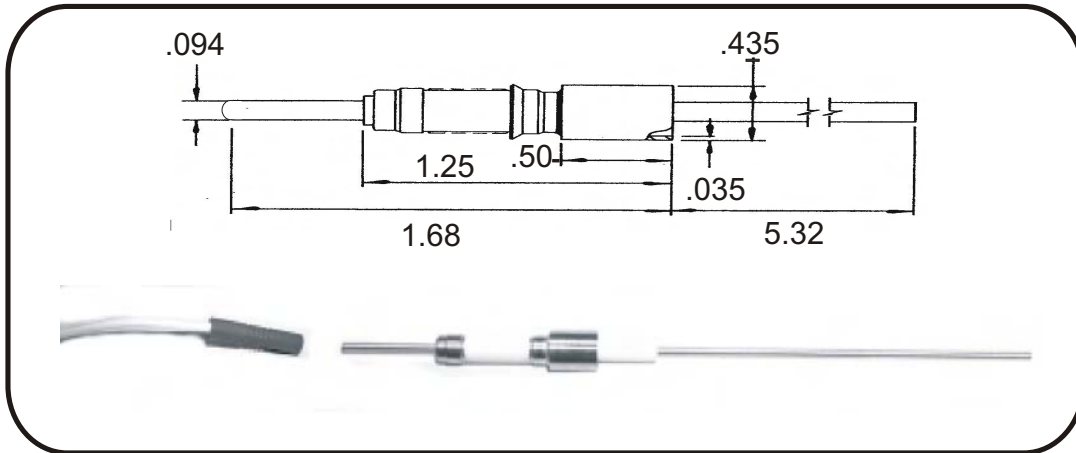
FLANGE	VOLTS	CONDUCTOR MATERIAL	AMPS	PART NO	PRICE
CF-40	3KV	COPPER	1000	A2100-1-CF	800.00

PHONE 864-876-9853

5,000 VOLTS DC/ TO 25 AMPS

1 PIN

POWER GLOVE INCLUDED



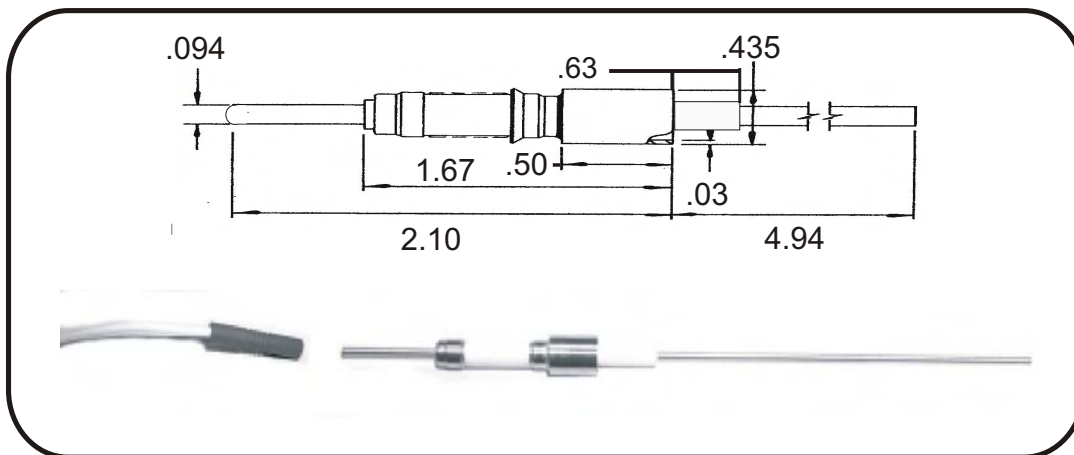
VOLTS DC	AMPS	CONDUCTOR MATERIAL	PART NO	PRICE
5KV	25	COPPER	A2118-1-W	50.00
5KV	15	NICKEL	A2118-2-W	50.00
5KV	1	STN STL	A2118-3-W	50.00

WELDABLE

10,000 VOLTS DC/ TO 25 AMPS

1 PIN

POWER GLOVE INCLUDED



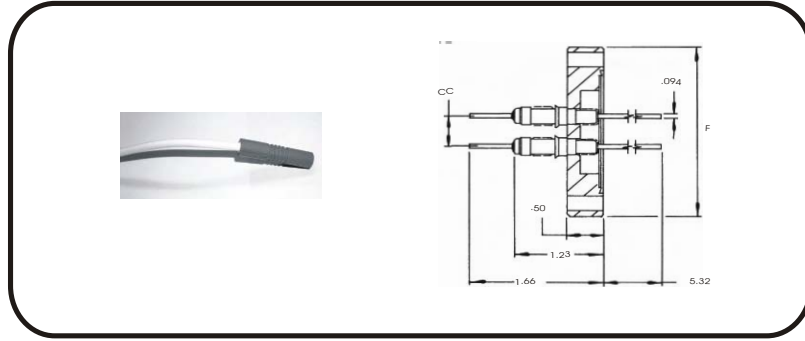
VOLTS DC	AMPS	CONDUCTOR MATERIAL	PART NO	PRICE
10KV	25	COPPER	A2535-1-W	55.00
10KV	15	NICKEL	A2535-2-W	55.00
10KV	1	STN STL	A2535-3-W	55.00

**POWER GLOVE FEEDTHROUGHS ARE NOW AVAILABLE IN CONFLAT AND QUICK FLANGE
CALL FOR DETAILS PHONE 864-876-9853**

5,000 VOLTS DC/ TO 25 AMPS

1 TO 8 PINS

POWER GLOVE INCLUDED



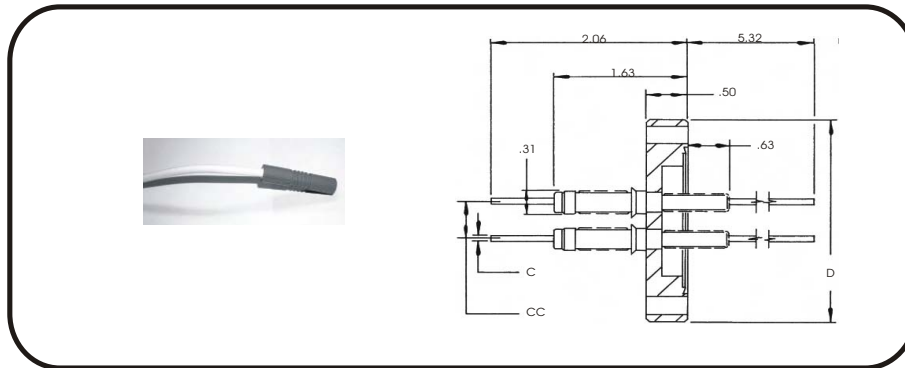
FLANGE	NO PINS	AMPS	CONDUCTOR MATERIAL	C	D	CC	PART NUMBER	PRICE
CF-16	1	25	COPPER	.094	1.33	--	A2597-1-CF	105.00
CF-40	1	25	COPPER	.094	2.73	--	A2597-2-CF	125.00
CF-40	2	25	COPPER	.094	2.73	1.00	A2207-1-CF	190.00
CF-40	3	25	COPPER	.094	2.73	1.00	A2597-3-CF	240.00
CF-40	4	25	COPPER	.094	2.73	1.00	A1836-1-CF	295.00
CF-40	5	25	COPPER	.094	2.73	1.06	A2597-4-CF	340.00
CF-40	6	25	COPPER	.094	2.73	1.06	A2597-5-CF	395.00
CF-40	7	25	COPPER	.094	2.73	1.125	A2597-6-CF	445.00
CF-40	8	25	COPPER	.094	2.73	1.125	A2597-7-CF	500.00

CONFLAT FLANGE

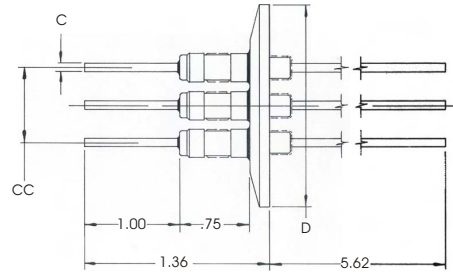
10,000 VOLTS DC/ TO 25 AMPS

1 TO 8 PINS

POWER GLOVE INCLUDED



FLANGE	NO PINS	AMPS	CONDUCTOR MATERIAL	C	D	CC	PART NUMBER	PRICE
CF-16	1	25	COPPER	.094	1.33	--	A2523-1-CF	145.00
CF-40	1	25	COPPER	.094	2.73	--	A2523-2-CF	165.00
CF-40	2	25	COPPER	.094	2.73	1.00	A2523-3-CF	220.00
CF-40	3	25	COPPER	.094	2.73	1.00	A2523-4-CF	275.00
CF-40	4	25	COPPER	.094	2.73	1.00	A2523-5-CF	335.00
CF-40	5	25	COPPER	.094	2.73	1.06	A2523-6-CF	385.00
CF-40	6	25	COPPER	.094	2.73	1.06	A2523-7-CF	445.00
CF-40	7	25	COPPER	.094	2.73	1.125	A2523-8-CF	500.00
CF-40	8	25	COPPER	.094	2.73	1.125	A2523-9-CF	560.00

5,000 VOLTS DC/ TO 25 AMPS**1 PIN**POWER GLOVE
INCLUDED

FLANGE	NO PINS	AMPS	CONDUCTOR MATERIAL	C	D	CC	PART NUMBER	PRICE
QF-16	1	25	COPPER	.094	1.18	--	A2609-1-QF	105.00
QF-40	1	25	COPPER	.094	2.16	--	A2609-2-QF	125.00
QF-40	2	25	COPPER	.094	2.16	1.00	A2609-3-QF	190.00
QF-40	3	25	COPPER	.094	2.16	1.00	A2609-4-QF	240.00
QF-40	4	25	COPPER	.094	2.16	1.00	A2609-5-QF	295.00
QF-40	5	25	COPPER	.094	2.16	1.06	A2609-6-QF	340.00
QF-40	6	25	COPPER	.094	2.16	1.06	A2609-7-QF	395.00
QF-40	7	25	COPPER	.094	2.16	1.125	A2609-8-QF	445.00
QF-40	8	25	COPPER	.094	2.16	1.125	A2609-9-QF	500.00

PHONE 864-876-9853