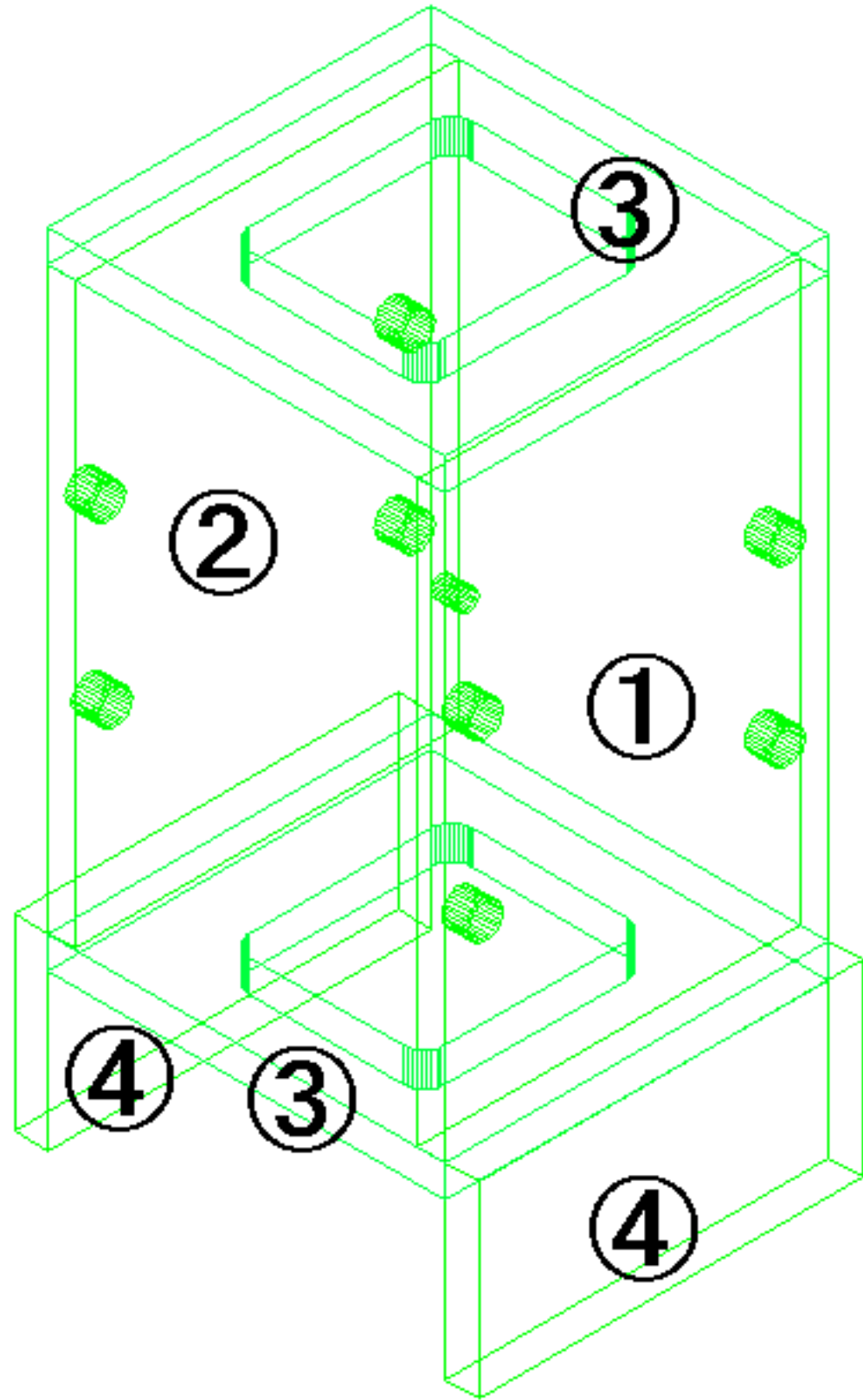
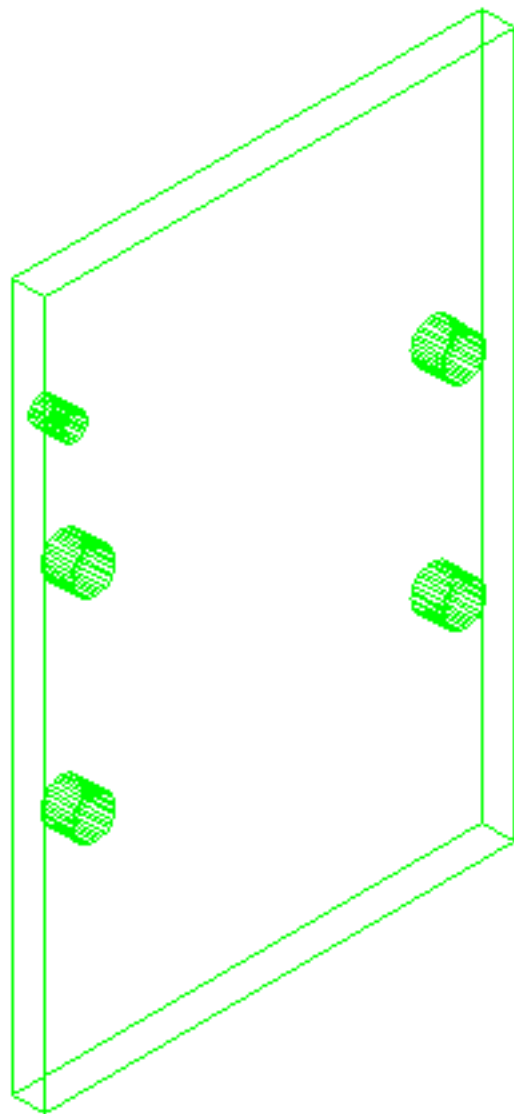


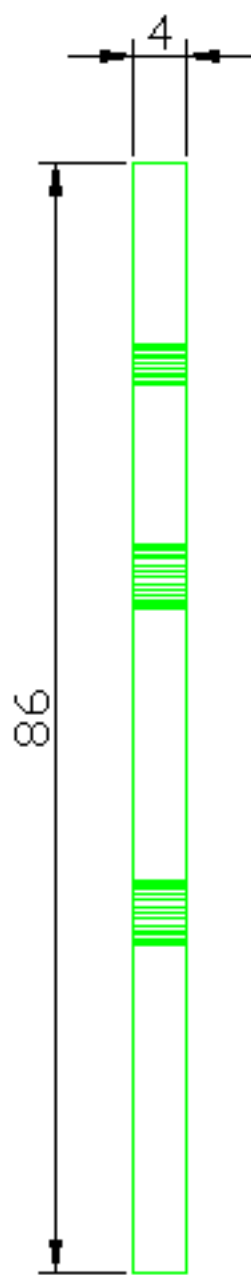
B



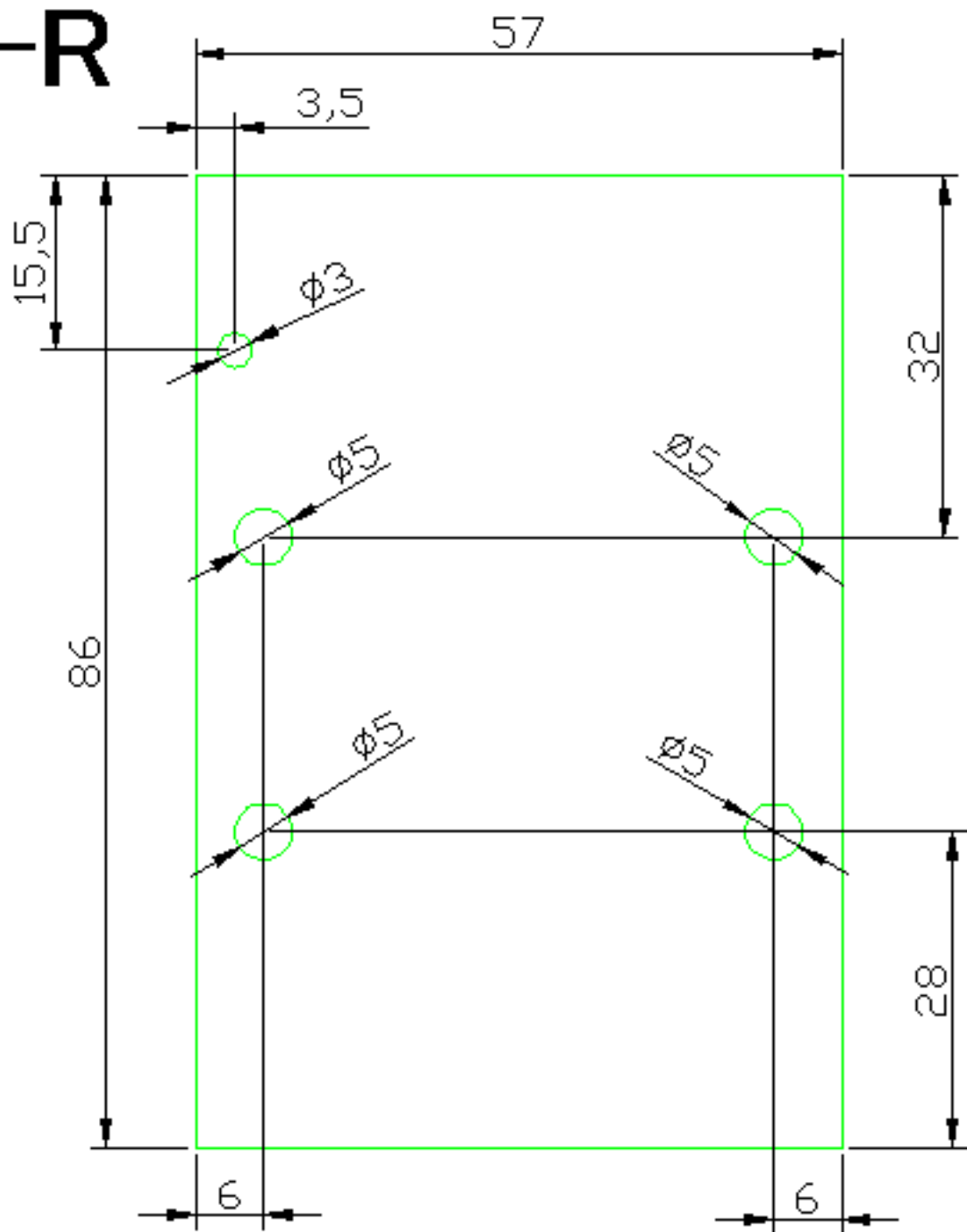
B1



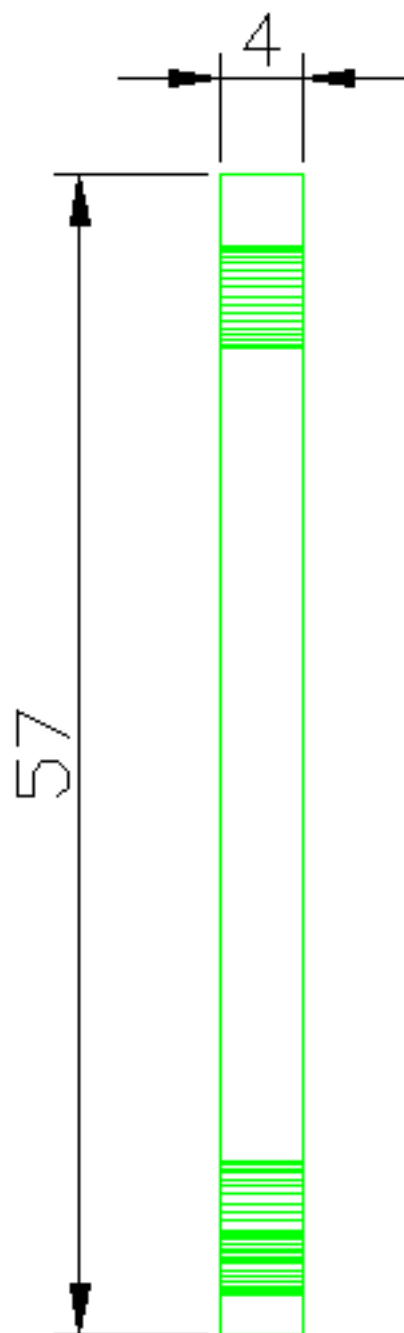
B1-F



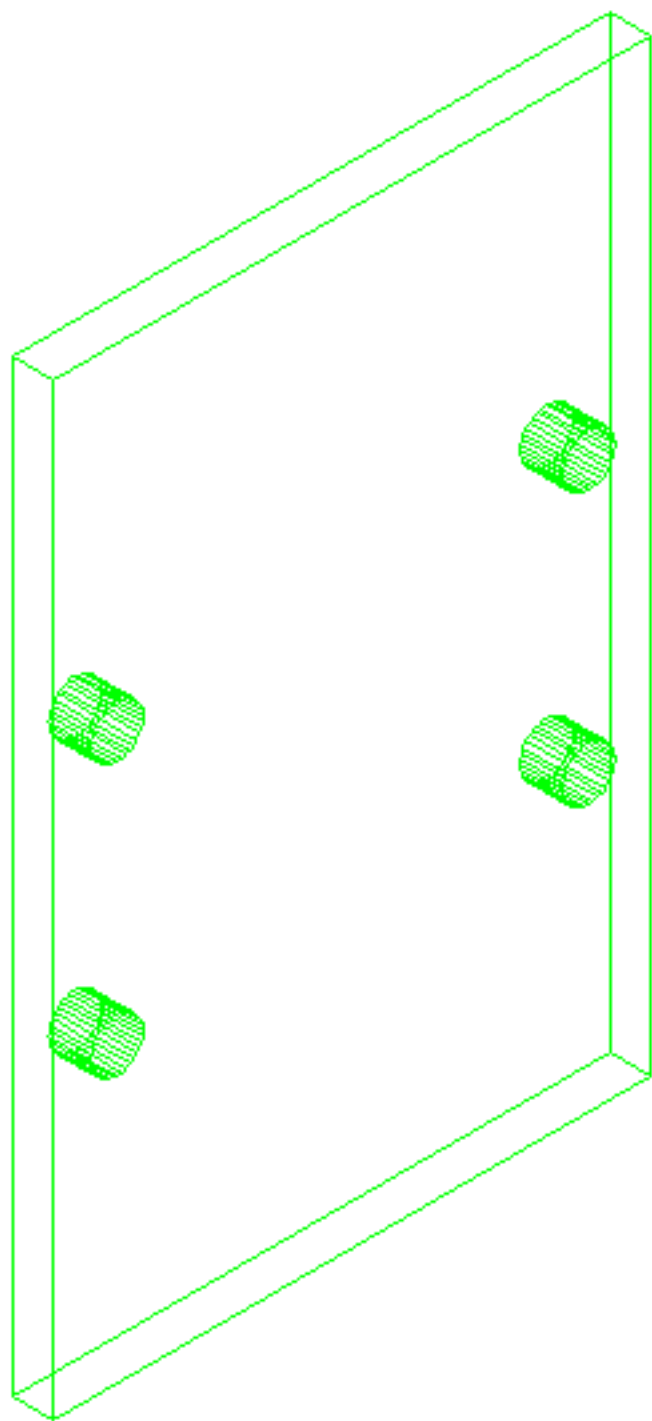
B1-R



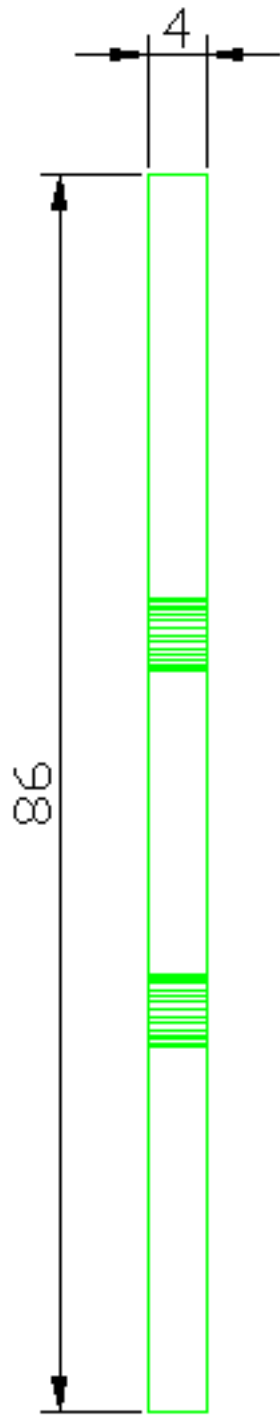
B1-T



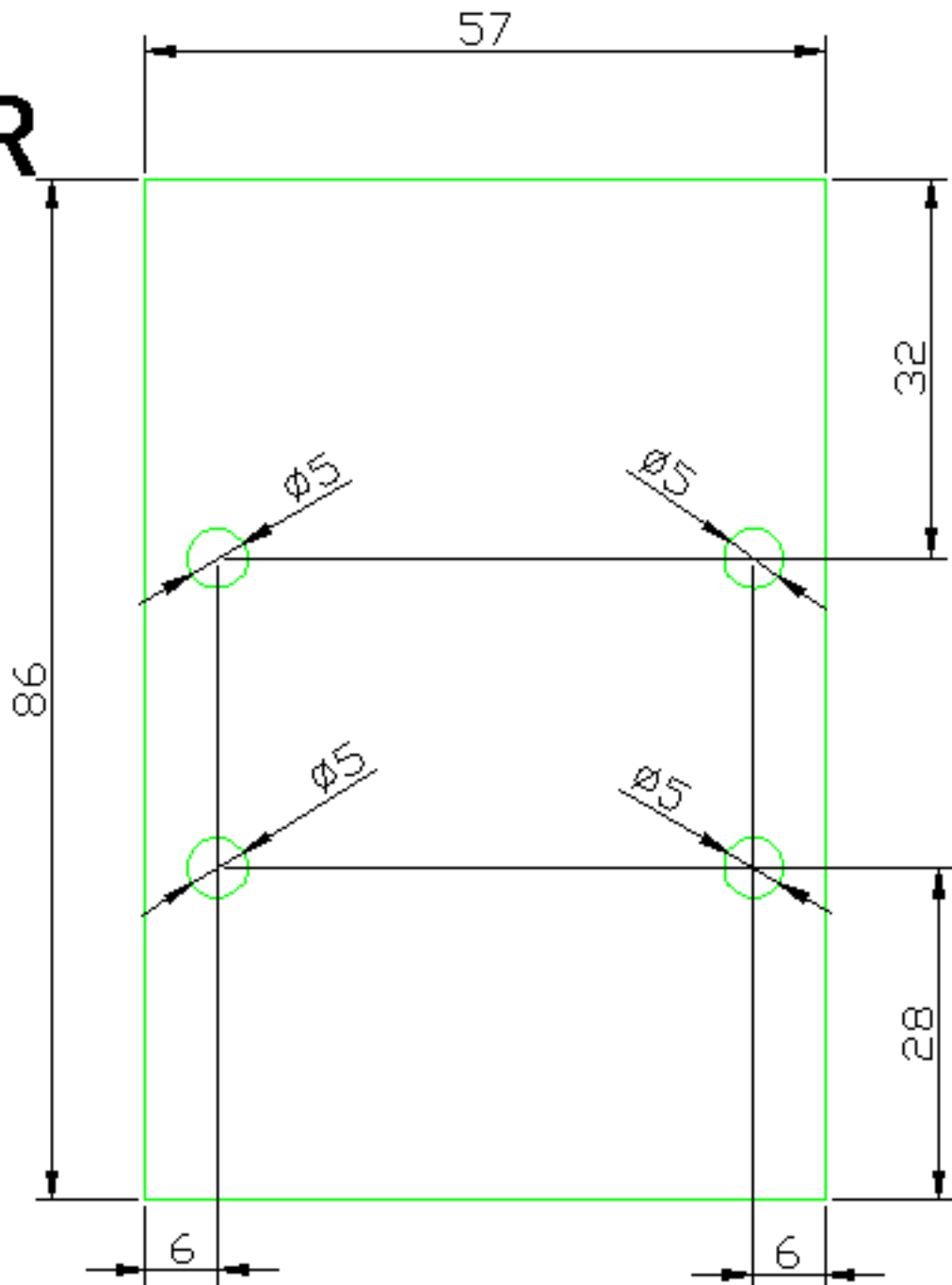
B2



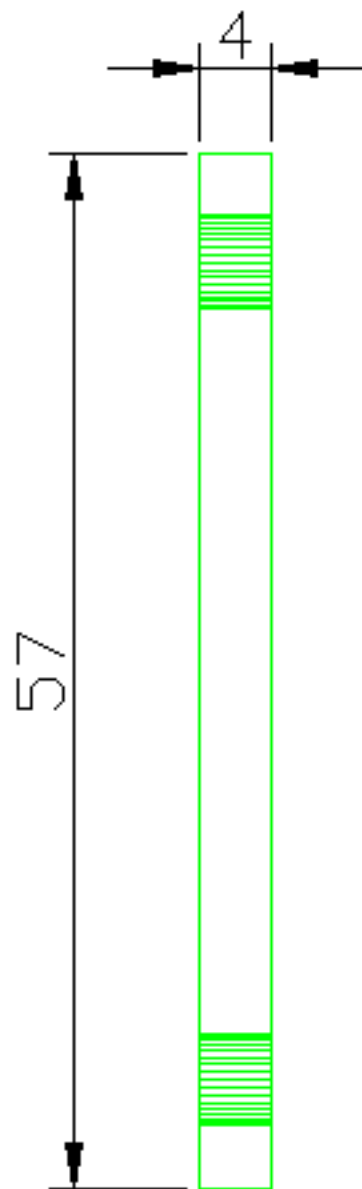
B2-F



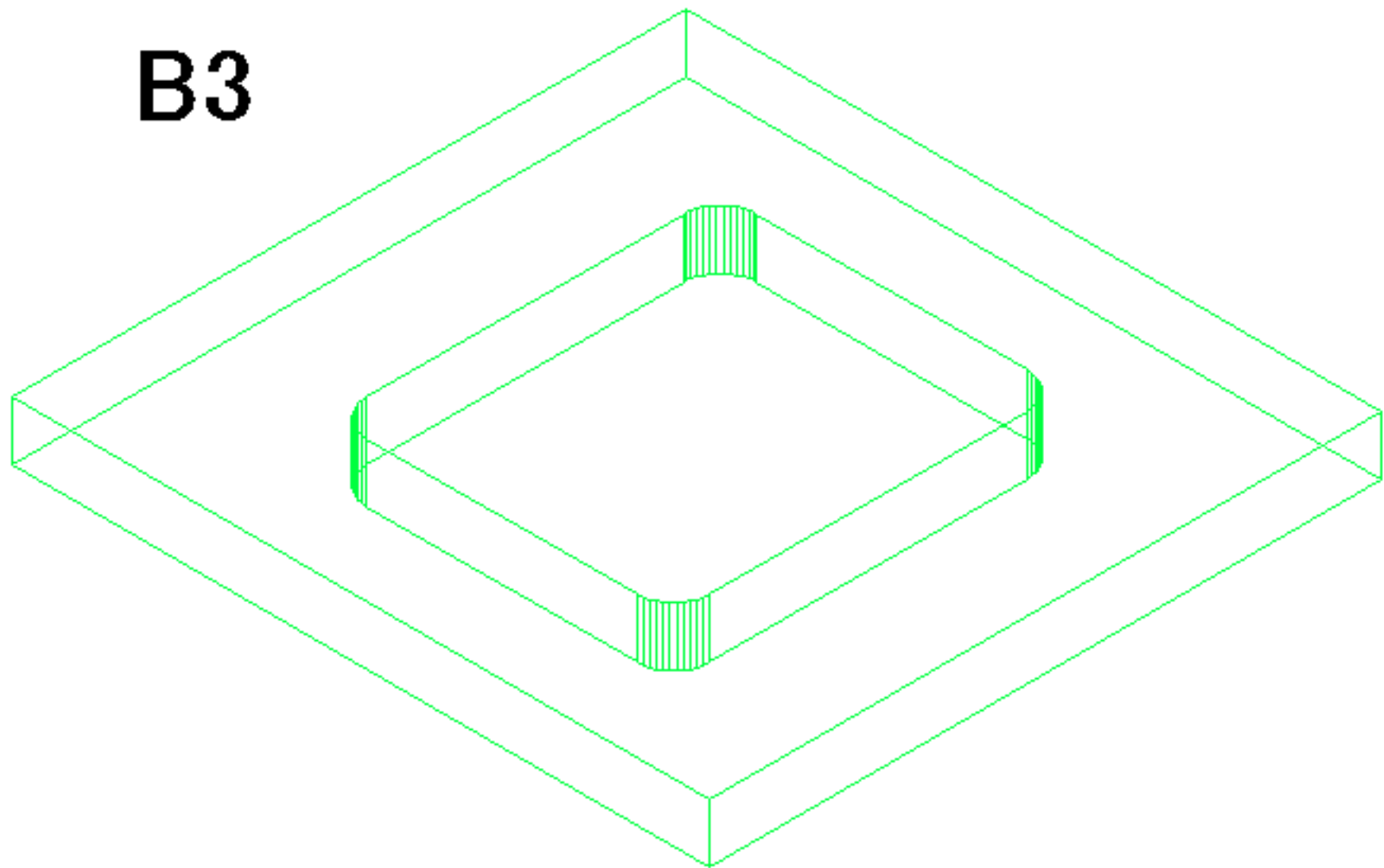
B2-R



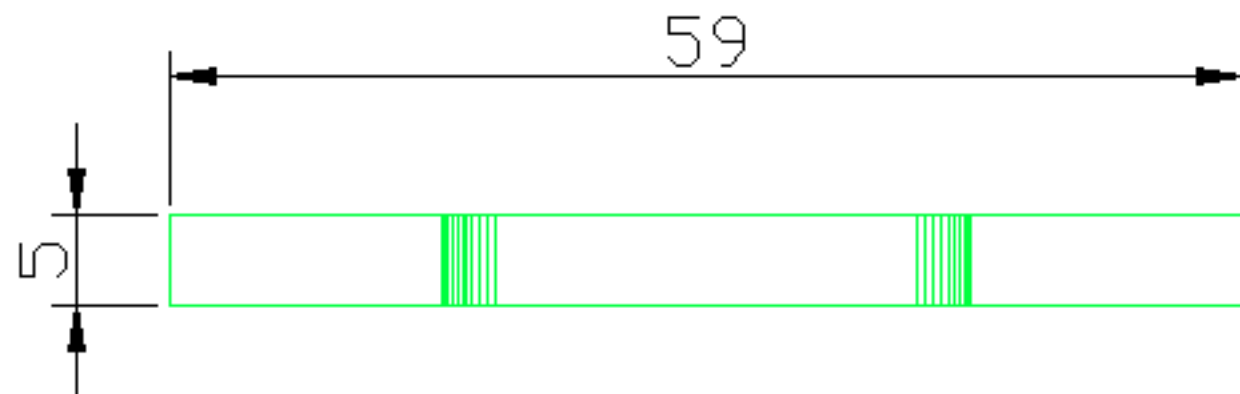
B2-T



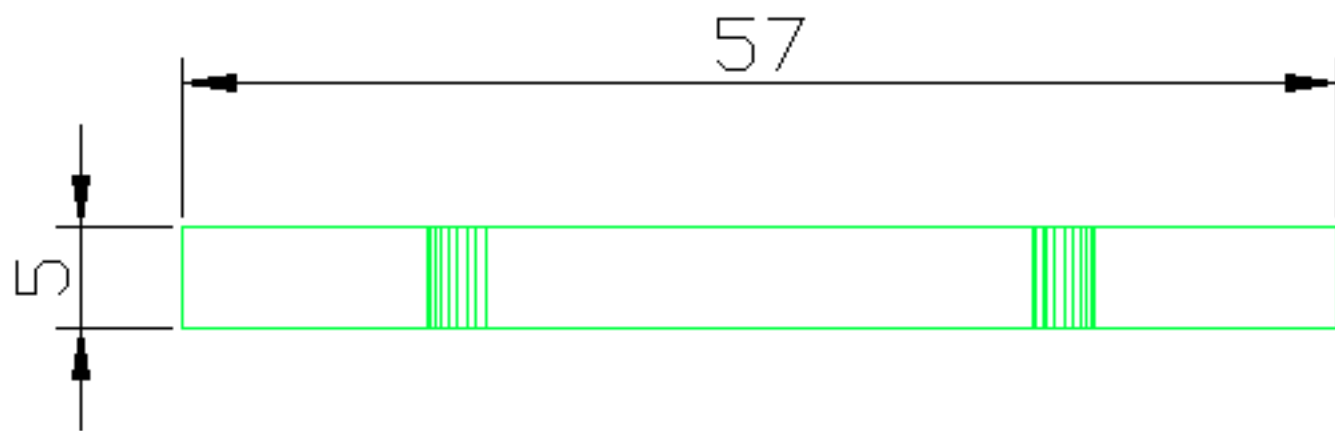
B3



B3-F



B3-R



B3-T

59

57

12

33

33×29の
穴

R3

R3

R3

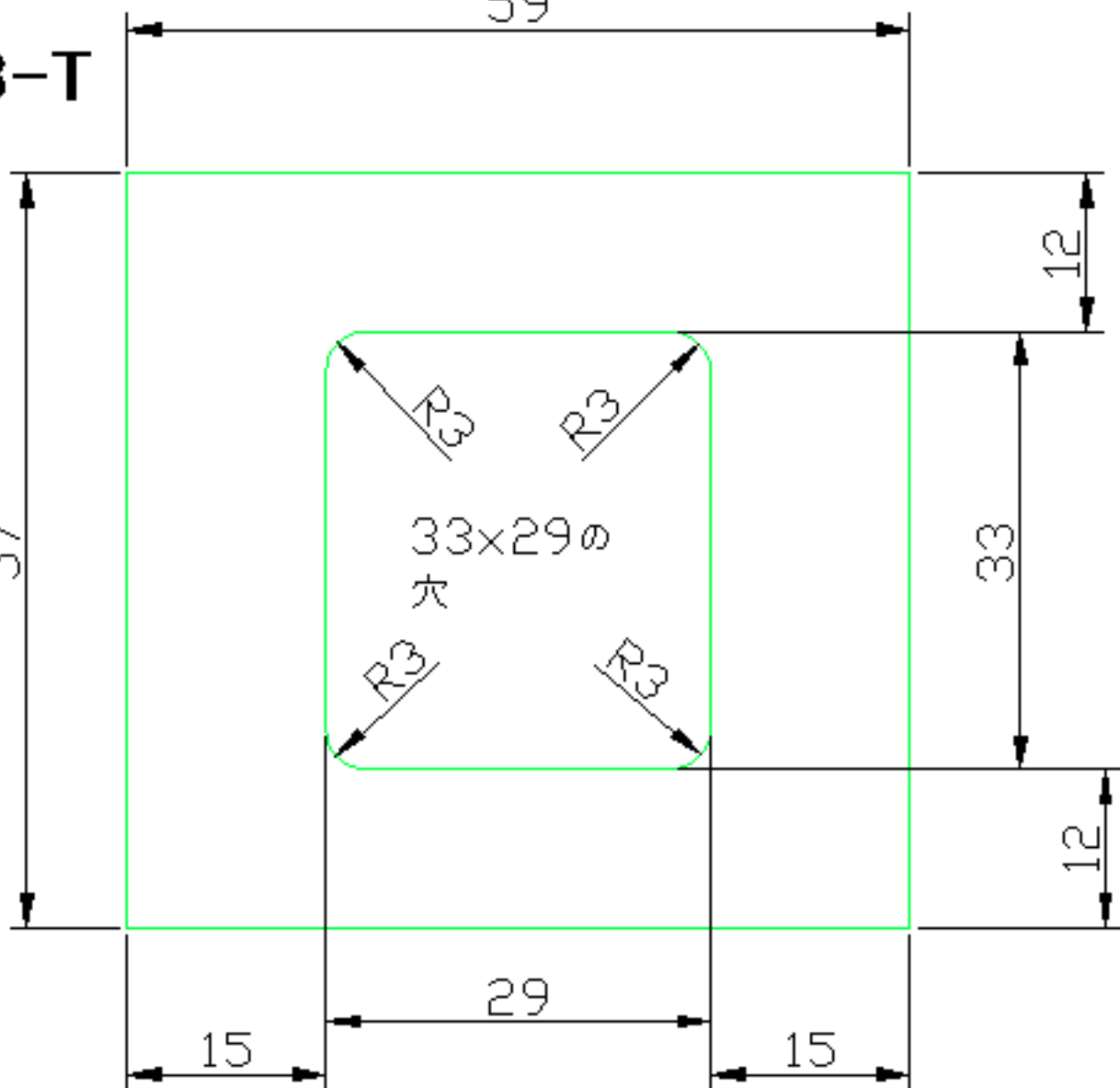
R3

12

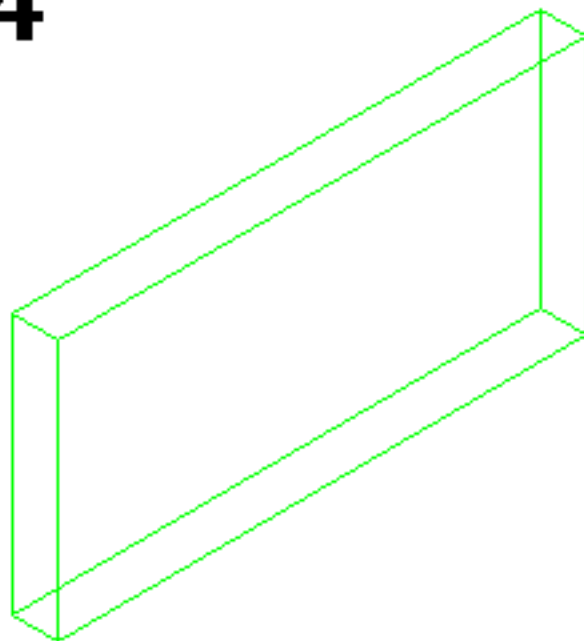
15

29

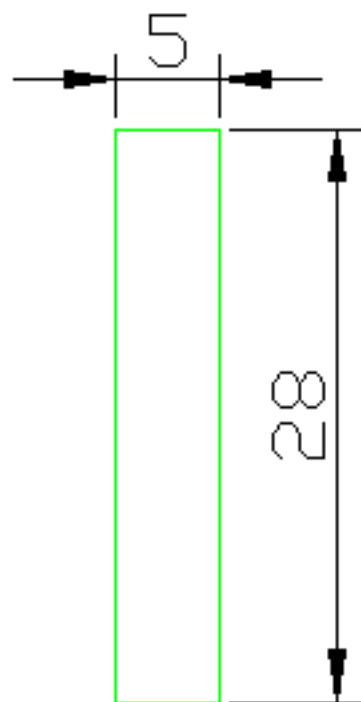
15



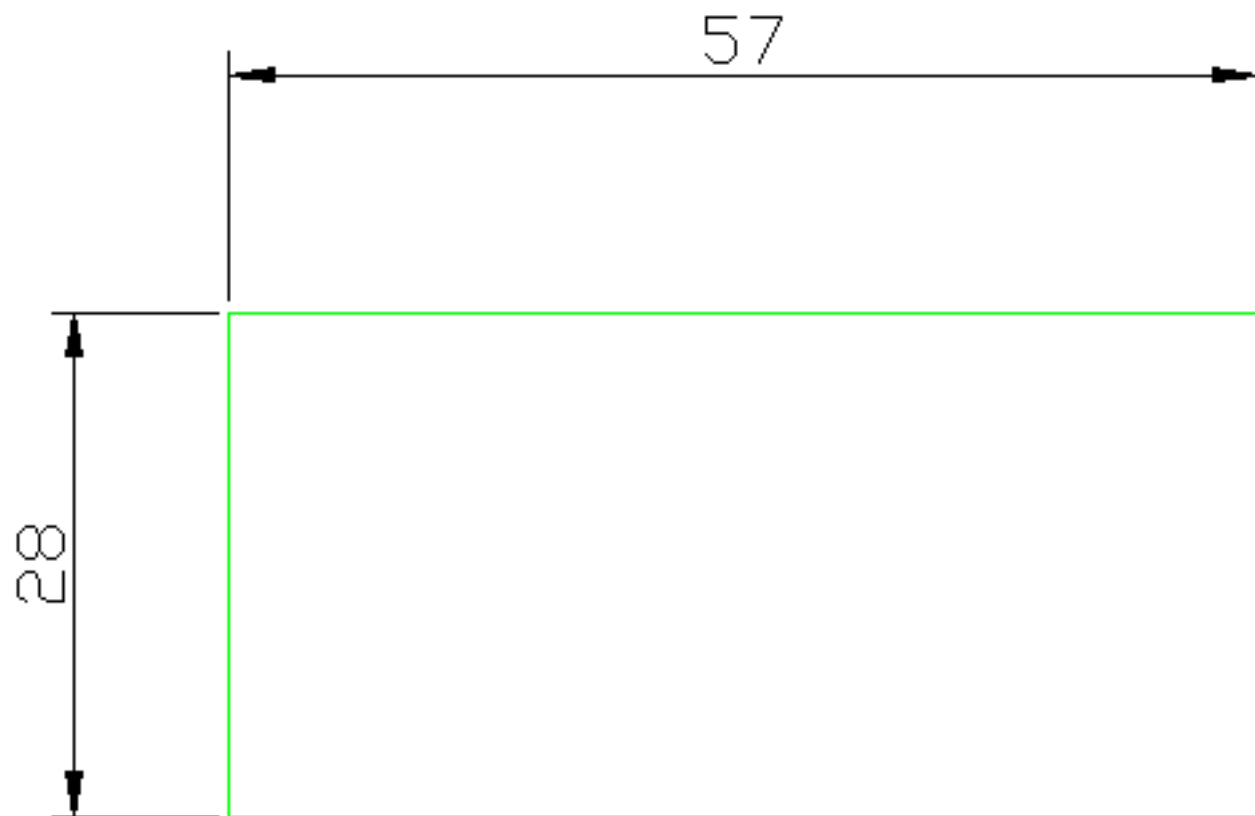
B4



B4-F



B4-R



B4-T

