

Higgs Working Group Report (I)

2003 Oct.3 KEK

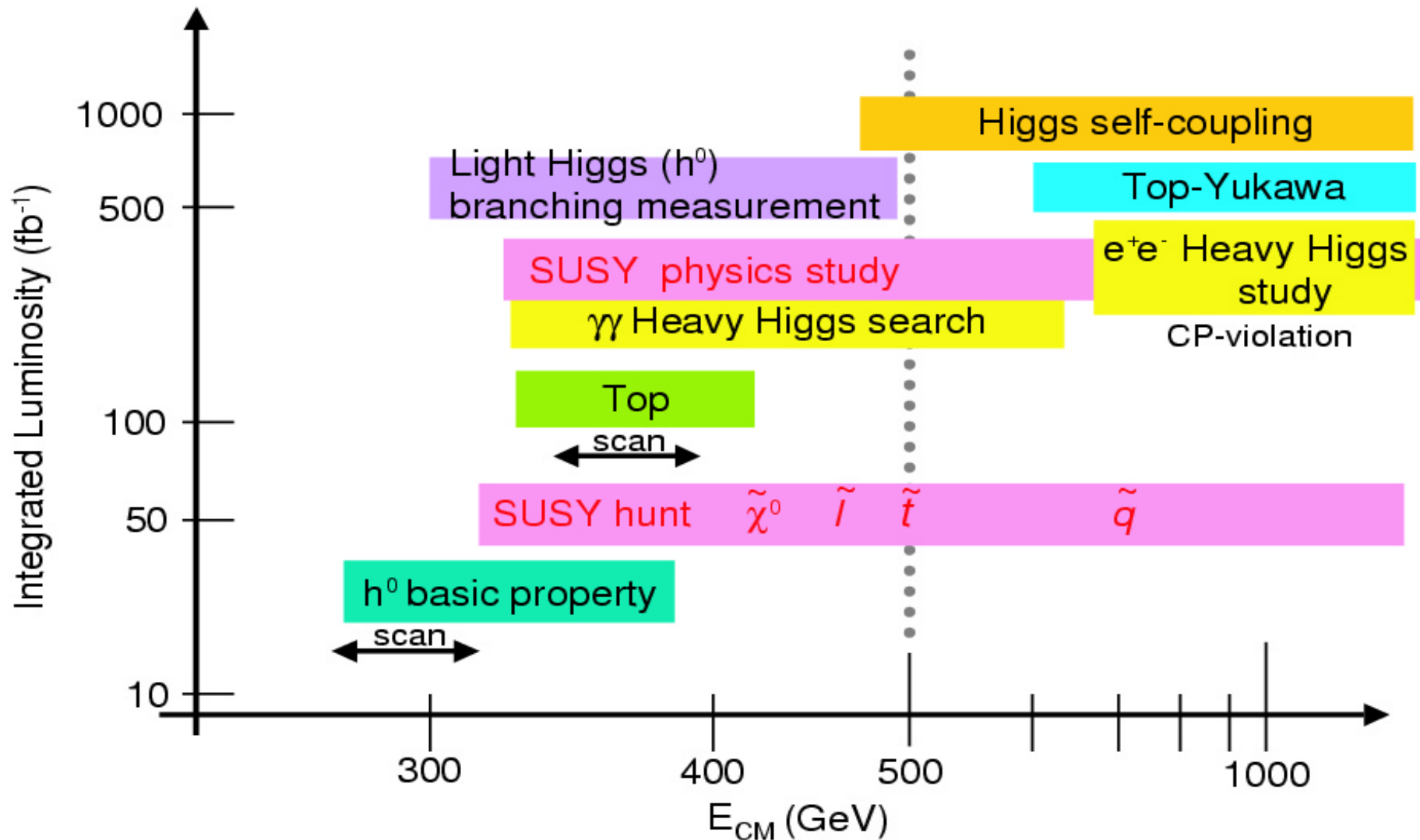
Yoshiaki Yasui

<http://www.icepp.s.u-tokyo.ac.jp/~satoru/lchiggs/>

Higgs Physics at GLC

- LHC Higgs discovery
- GLC
 - * Precise measurement of Higgs sector
- Higgs Physics at GLC
 - * GLC I ($\sqrt{s}=500$ GeV)
 - ? Single Higgs production
 - ? Higgs mass and width
 - ? Higgs at collider
 - * Energy Upgrade GLC II (TeV scale LC)
 - ? Multi Higgs production Higgs self coupling
 - ? Top Yukawa
 - ? Heavy Higgs (MSSM,etc.)

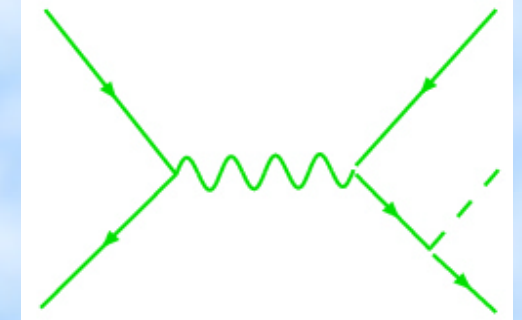
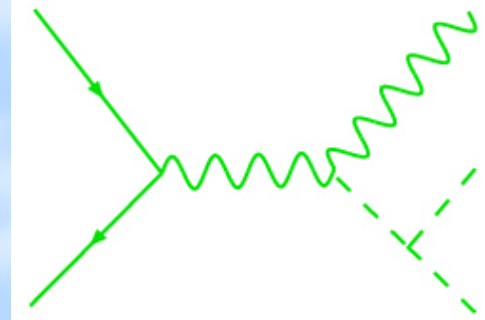
Physics at GLC



Higgs Working group

? Important topics

- ★ Higgs self coupling
- ★ Top Yukawa coupling



- ★ Heavy Higgs (MSSM,etc.) New Physics group
- ★ Higgs at working group

? Precise Study of Higgs Physics at GLC

- ➔ Theoretical calculation (GRACE,HELAS,etc.)
- ➔ Simulation (QuickSimulator,etc.)
 - ➔ collider and detector design
- ➔ ACFA workshop (India 2003 Dec.)
- ➔ LC workshop (Paris 2004 Apr.)

Procedure for Higgs analysis

1. Parton Generator

→ **LCGrace** (package based on GRACE 2.2.0)

★ Bases Cross section

★ Spring Events generator

2. Hadronizer

→ Pythia (interface from Spring to Pythia6)

→ Herwig

3. Simulator (Quick Simulator)

4. Analysis

LCGrace

? Package based on the Grace system

* Bases and Spring calculation

Signal and Background processes

for the light Higgs (Mh 140 GeV)

• e^+e^- hhff bbbff (final 6f)

• e^+e^- tth bbfffh

? How to use

→ runBases “Process name” ? cross section

→ runSpring “Process name” event generator

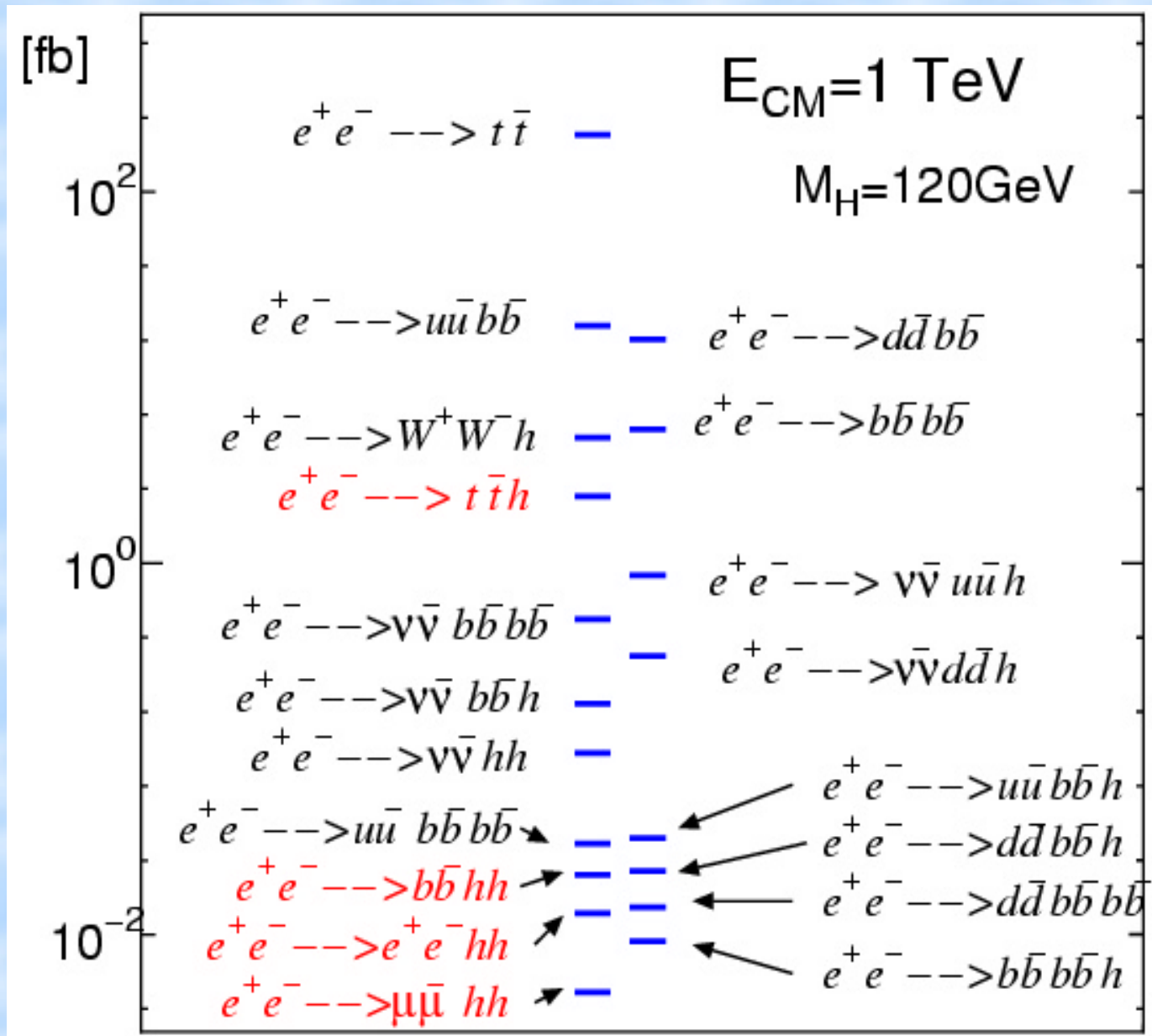
? getparameters.f

...mass,energy,polarization,etc.etc.

Process ID and name

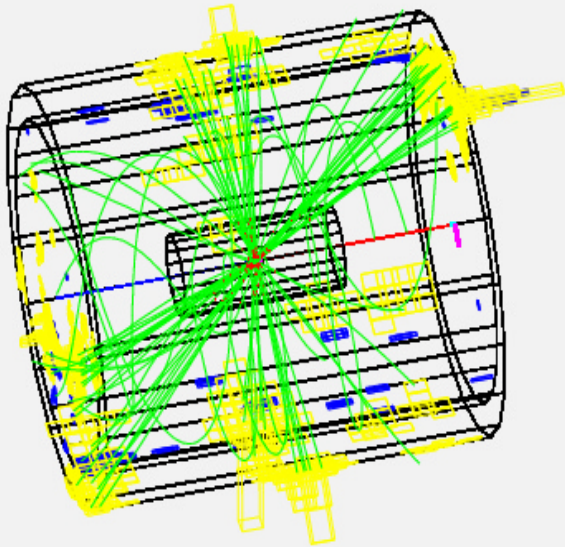
ID	process name		ID	process name	
1004	tT	$e^+e^- \rightarrow t\bar{t} \rightarrow b\bar{b}W^+W^-$	1500	wWh	$e^+e^- \rightarrow W^+W^-h$
1100	wW	$e^+e^- \rightarrow W^+W^-$	1511	nNmuMUh	$e^+e^- \rightarrow \nu\bar{\nu}\mu\bar{\mu}h$
1105	uUcC	$e^+e^- \rightarrow u\bar{u}c\bar{c}$	1512	nNuUh	$e^+e^- \rightarrow \nu\bar{\nu}u\bar{u}h$
1106	dDsS	$e^+e^- \rightarrow d\bar{d}s\bar{s}$	1513	nNdDh	$e^+e^- \rightarrow \nu\bar{\nu}d\bar{d}h$
1107	uUsS	$e^+e^- \rightarrow u\bar{u}s\bar{s}$	1514	nNbBh	$e^+e^- \rightarrow \nu\bar{\nu}b\bar{b}h$
1108	uUbB	$e^+e^- \rightarrow u\bar{u}b\bar{b}$	1520	muMUtuTUh	$e^+e^- \rightarrow \mu\bar{\mu}\tau\bar{\tau}h$
1109	dDbB	$e^+e^- \rightarrow d\bar{d}b\bar{b}$	1523	muMUbBh	$e^+e^- \rightarrow \mu\bar{\mu}b\bar{b}h$
1110	bBbB	$e^+e^- \rightarrow b\bar{b}b\bar{b}$	1530	uUcCh	$e^+e^- \rightarrow u\bar{u}c\bar{c}h$
			1531	dDsSh	$e^+e^- \rightarrow d\bar{d}s\bar{s}h$
1231	muMUbBbB	$e^+e^- \rightarrow \mu\bar{\mu}b\bar{b}b\bar{b}$	1532	uUsSh	$e^+e^- \rightarrow u\bar{u}s\bar{s}h$
1232	uUbBbB	$e^+e^- \rightarrow u\bar{u}b\bar{b}b\bar{b}$	1533	uUbBh	$e^+e^- \rightarrow u\bar{u}b\bar{b}h$
1233	dDbBbB	$e^+e^- \rightarrow d\bar{d}b\bar{b}b\bar{b}$	1534	dDbBh	$e^+e^- \rightarrow d\bar{d}b\bar{b}h$
1340	bBbBbB	$e^+e^- \rightarrow b\bar{b}b\bar{b}b\bar{b}$	1535	bBbBh	$e^+e^- \rightarrow b\bar{b}b\bar{b}h$
1345	nNbBbB	$e^+e^- \rightarrow \nu\bar{\nu}b\bar{b}b\bar{b}$			
1405	tTh	$e^+e^- \rightarrow t\bar{t}h \rightarrow b\bar{b}W^+W^-h$	1900	nNhh	$e^+e^- \rightarrow \nu\bar{\nu}hh$
			1901	eEhh	$e^+e^- \rightarrow e^+e^-hh$
			1902	muMUhh	$e^+e^- \rightarrow \mu\bar{\mu}hh$
			1903	bBhh	$e^+e^- \rightarrow b\bar{b}hh$

Event and Background (By Bases)

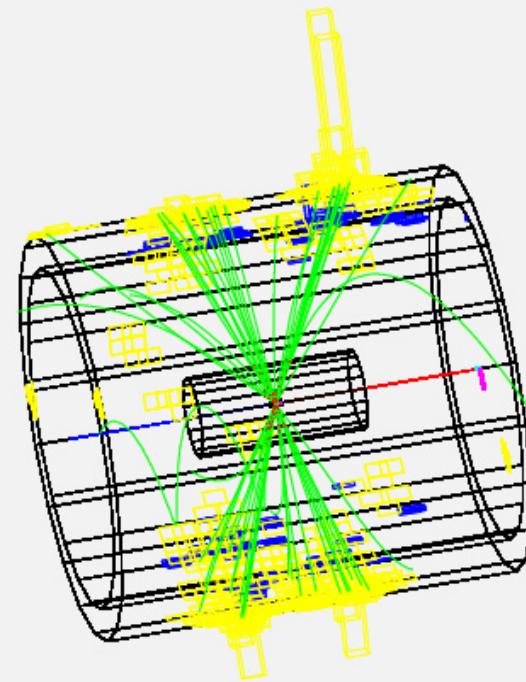


Sample events

e^+e^- tth



e^+e^- hh



Current status of Higgs study

1. Parton Generator (LCGrace is ready)
2. Interface to Pythia 6.2
(is almost ready)
 - according to the Les Houches workshop
 - Herwig?
3. Simulator
4. Analysis (Schedule -- Yamashita-san)